

Catch plates Form A for DIN 3133 latches

Item description/product images

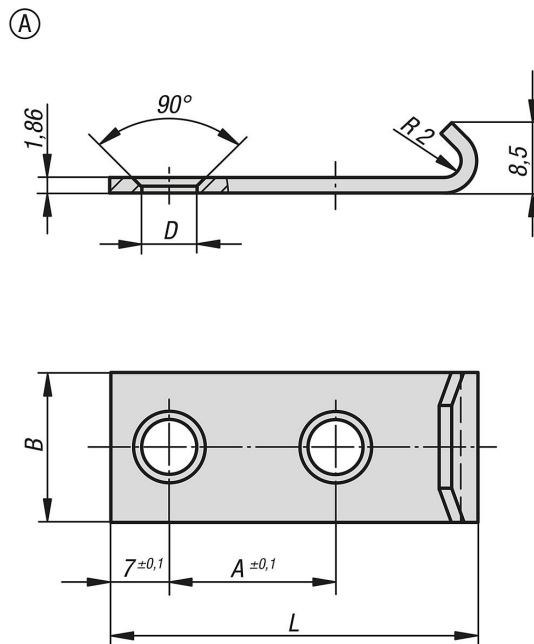


Description

Material:
Stainless steel 1.4301.

Version:
Vibratory ground.

Drawings



Overview of items

| Order No. | Form | L | B | A | D |
|----------------|------|----|----|----|-----|
| K1336.91460442 | A | 44 | 18 | 20 | 4,8 |

