

## Spherical bearings K/E series DIN ISO 12240-1

### Item description/product images

---



### Description

**Material:**

Bearing shell stainless steel 1.4571.

Ball joint stainless steel 1.4034.

Bearing surface PTFE/stainless steel insert.

**Version:**

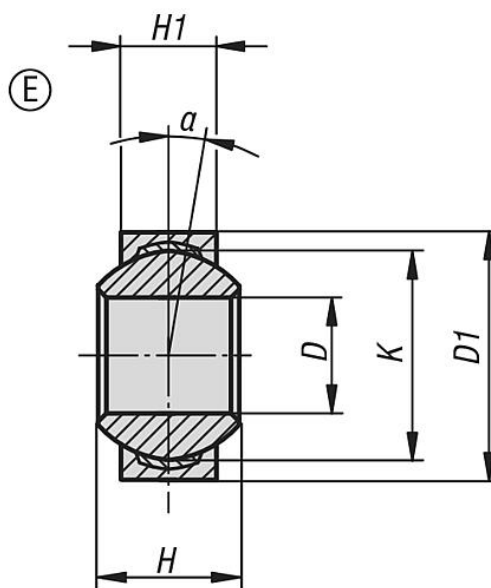
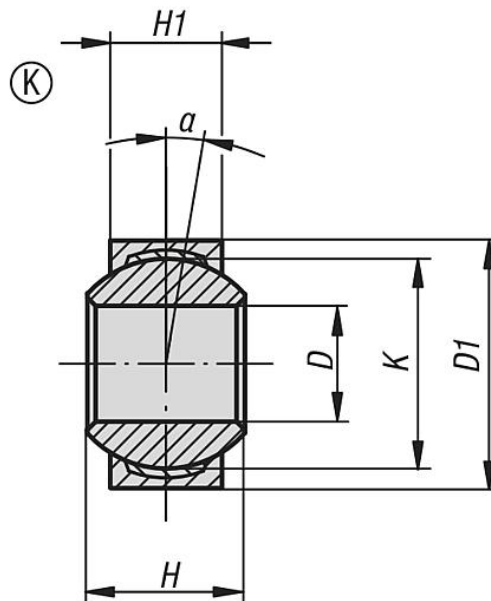
Ground, polished.

**Note:**

Suitable for high dynamic loads. The fitting dimensions comply with DIN ISO 12240-1 E/K.

**Spherical bearings K/E series DIN ISO 12240-1**

**Drawings**



**Overview of items**

**Pivot bearings K series DIN ISO 12240-1**

Order No.	Version 1	D	D1	H	H1	K	$\alpha$	Dynamic load rating N	Static load rating N	Speed limit rpm
<b>K1324.10513</b>	dimensional series k	5 H7	13 h7	8	6	11,11	13°	7500	12500	600
<b>K1324.10615</b>	dimensional series k	6 H7	15 h7	9	6,75	12,7	13°	9300	15500	530
<b>K1324.10818</b>	dimensional series k	8 H7	18 h7	12	9	15,87	14°	16700	27800	420
<b>K1324.11021</b>	dimensional series k	10 H7	21 h7	14	10,5	19,05	13°	23400	39000	350

## Spherical bearings K/E series DIN ISO 12240-1

### Overview of items

Order No.	Version 1	D	D1	H	H1	K	$\alpha$	Dynamic load rating N	Static load rating N	Speed limit rpm
<b>K1324.11224</b>	dimensional series k	12 H7	24,5 h7	16	12	22,22	13°	32000	34500	300
<b>K1324.11631</b>	dimensional series k	16 H7	31,5 h7	21	15	28,57	15°	52500	88000	230

### Pivot bearings E series DIN ISO 12240-1

Order No.	Version 1	D	D1	H	H1	K	$\alpha$	Dynamic load rating N	Static load rating N
<b>K1324.20614</b>	dimensional series e	6 -0,008	14 -0,008	6	4	10	13°	4000	9000
<b>K1324.20816</b>	dimensional series e	8 -0,008	16 -0,008	8	5	13	15°	7000	15600
<b>K1324.21019</b>	dimensional series e	10 -0,008	19 -0,009	9	6	16	12°	10000	23400
<b>K1324.21222</b>	dimensional series e	12 -0,008	22 -0,009	10	7	18	11°	14000	32000
<b>K1324.21630</b>	dimensional series e	16 -0,008	30 -0,009	14	10	25	10°	39000	65000