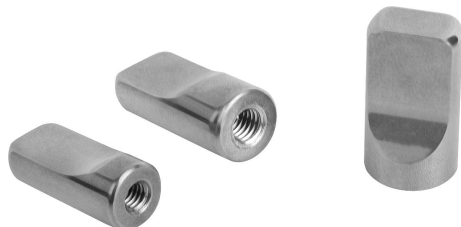


Wing nuts narrow in Hygienic DESIGN

Item description/product images



Description

Material:

Stainless steel 1.4404.

Version:

Polished.

Note:

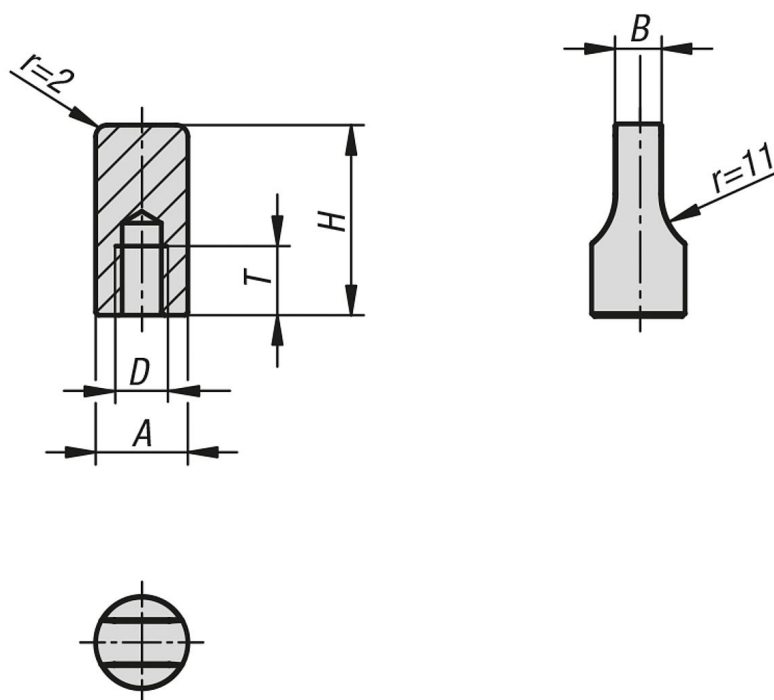
The wing nut makes simple screw connections feasible. They can be easily opened or re-tightened without tools.

The complete surface is polished with a surface finish of less than $Ra\ 0.8\ \mu\text{m}$. The contour is rounded with smooth transitions. Due to the polished surface dirt and residue from products or cleaners seldom adheres. Easy cleaning is ensured.

On request:

Inch threads, external threads.

Drawings



Overview of items

Wing nuts narrow in Hygienic DESIGN

Order No.	A	B	D	H	T
K1314.04	9	4,5	M4	20	6
K1314.05	10	4,5	M5	22	6
K1314.06	12	5,5	M6	22	7
K1314.08	16	8	M8	25	9
K1314.10	20	10	M10	30	11

