

## Self-aligning pads, self-righting, Form F, with external thread, flattened ball, with diamond grip

Item description/product images



### Description

**Material:**

Ball steel, ball seat high-carbon steel.

**Version:**

Ball hardened, ball seat phosphated.

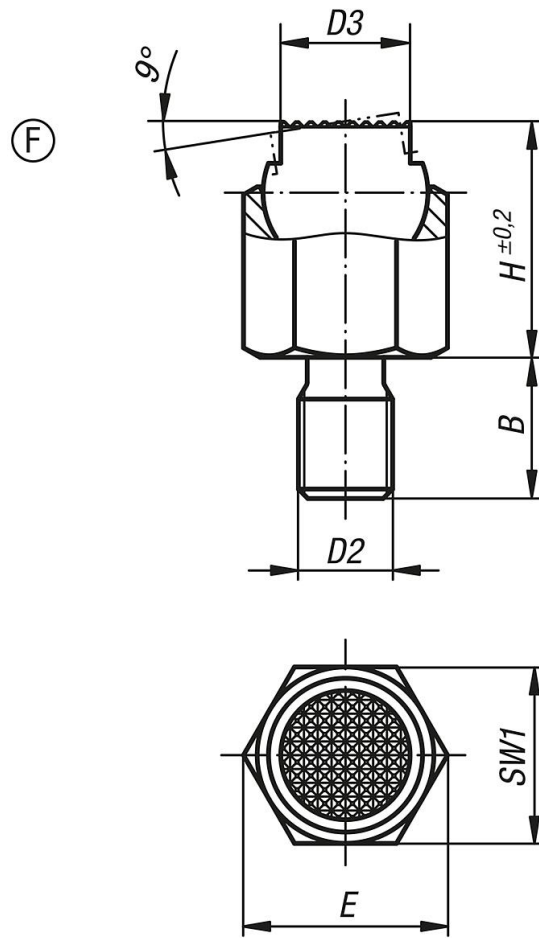
**Note:**

The self-aligning pads serve as stops, rests and thrust pads in fixture construction. The seating face returns to the start position when the load is removed.

Ball secured against rotation.

**Self-aligning pads, self-righting, Form F, with external thread, flattened ball, with diamond grip**

Drawings



**Overview of items**

Order No.	Form	B	D2	D3	H	E	SW1	Ball-Ø	Load rating max. kN (static load only)
K1164.306	F	9	M6	7	13	11,5	10	9	8
K1164.308	F	12	M8	9,5	18	15	13	12	16
K1164.310	F	15	M10	14	25	21,9	19	17	32
K1164.312	F	18	M12	20	36	31,2	27	25	64
K1164.316	F	24	M16	22	40	34,6	30	28	90