

Self-aligning pads, self-righting, Form G, press fit, flattened ball, smooth

Item description/product images



Description

Material:

Ball high-carbon steel, ball seat steel.

Version:

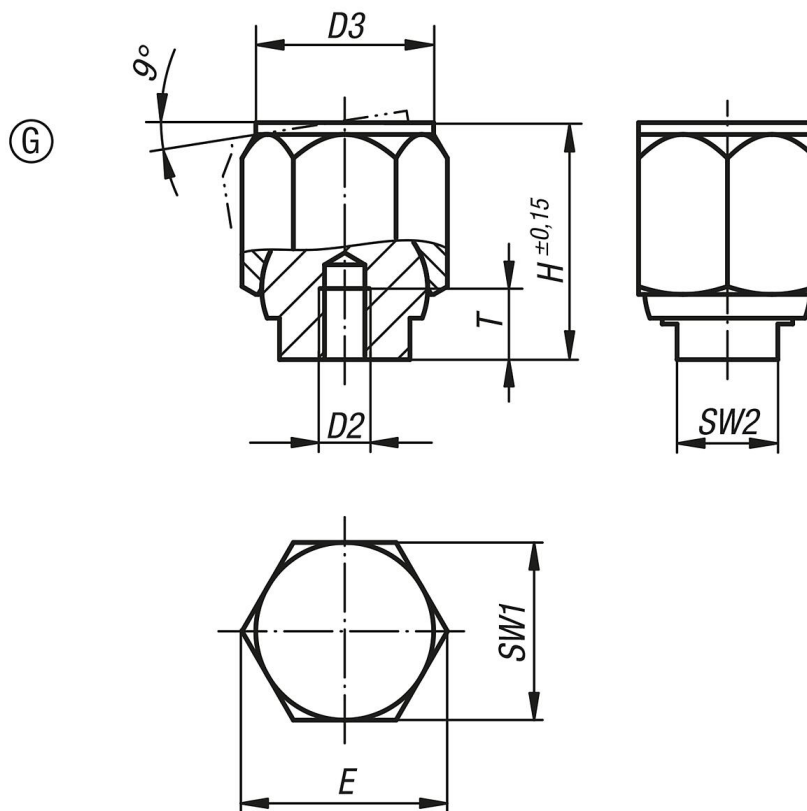
Ball phosphated, ball seat hardened.

Note:

The self-aligning pads serve as stops, rests and thrust pads in fixture construction. The seating face returns to the start position when the load is removed.

Ball secured against rotation.

Drawings



Self-aligning pads, self-righting, Form G, press fit, flattened ball, smooth

Overview of items

Order No.	Form	D2	D3	H	E	T	SW1	SW2	Ball-Ø	Load rating max. kN (static load only)
K1164.403	G	M3	9	13	11,5	5	10	6	9	8
K1164.404	G	M4	12	18	15	6	13	8	12	16
K1164.405	G	M5	18	25	21,9	8	19	10	17	32
K1164.406	G	M6	26	36	31,2	10	27	16	25	64
K1164.408	G	M8	30	40	34,6	12	30	17	28	90