

# Spring hinges, steel, stainless steel or aluminium, 50 mm, spring open

## Item description/product images



### Description

**Material:**

Steel, 1.4301 stainless steel or 5754 aluminium.  
Tension spring steel or stainless steel.

**Version:**

Steel electro zinc-plated  
Stainless steel and aluminium, bright.  
Tension spring Zn/Al alloy.

**Note:**

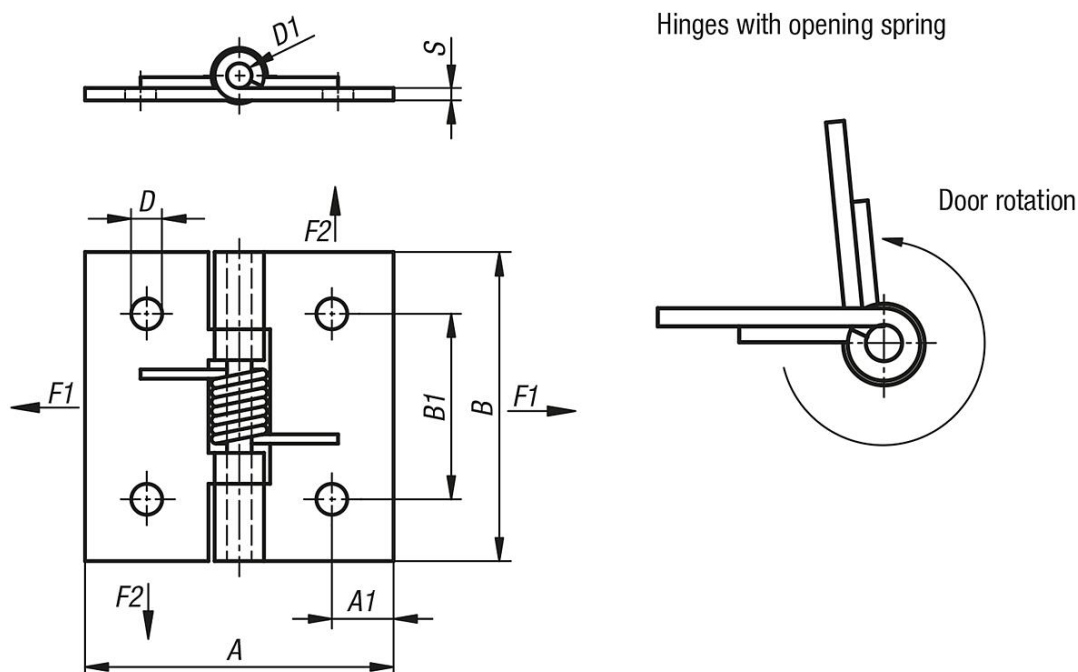
Butt type hinges.  
Opening angle 270°.

**Spring torque:**

M(0°): 1.5 Nm / M(90°): 1.1 Nm / M(180°): 0.65 Nm

By the aluminum hinges, the tension springs are steel alloyed with Zn/Al.

## Drawings



## Overview of items

Order No.	Main material	A	A1	B	B1	D	D1	S
K1173.50500	steel	50	9	50	30	5	4	2
K1173.150500	stainless steel A2	50	10	50	30	5	4	2

**Spring hinges, steel, stainless steel or aluminium, 50 mm, spring open****Overview of items**

Order No.	Main material	A	A1	B	B1	D	D1	S
K1173.250500	aluminium	50	9	50	30	5	4	2