

Levelling feet steel or stainless steel Form D

Item description/product images



Description

Material:

Foot plate and threaded spindle steel or stainless steel.
Rubber support (NBR) 80 Shore.

Version:

Foot plate and threaded spindle electro zinc-plated steel.
Foot plate polished stainless steel.
Threaded spindle bright stainless steel.
Rubber support, vulcanised, black.

Note:

Levelling feet steel or stainless steel with pivoting threaded spindle and rubber base. The solid rubber base is permanently vulcanised to the sheet metal plate. The rubber base has an excellent surface grip. It is sound damping and impedes transmission of vibrations and impacts to the floor.

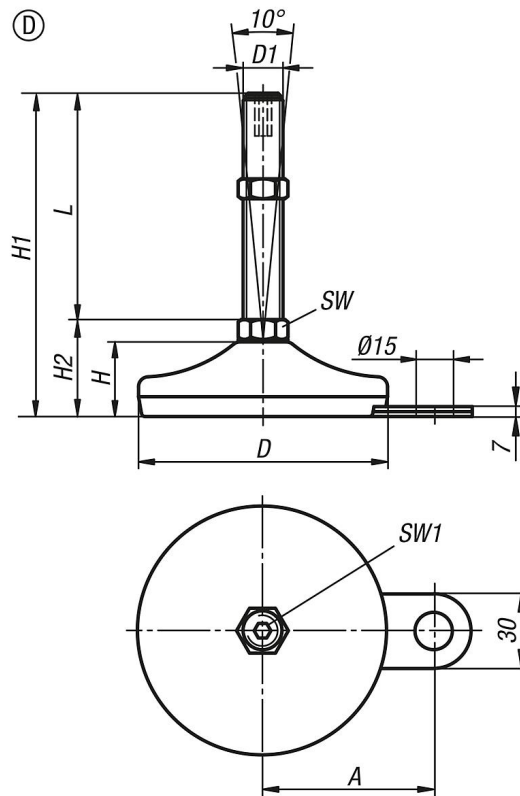
The load values specified in the table are based on a test series, in which a static load was applied perpendicular to the plates through the centre of the spindle. Radially acting forces such as those produced by vibrations or other shaking effects, affect the load rating and are not taken into account for the specified values.

For stainless steel feet from spindle size M16, the wrench sizes apply across two flats.

Supplied with matching nut.

Levelling feet steel or stainless steel Form D

Drawings



Overview of items

Order No.	Form	Main material	A	D	D1	H	H1	H2	SW	SW1	L	Load rating max. kN (static load only)
K0739.4106010X50	D	steel	45	60	M10	22	82	32	14	5	50	7
K0739.4106012X50	D	steel	45	60	M12	22	82	32	14	6	50	7
K0739.4106012X100	D	steel	45	60	M12	22	132	32	14	6	100	7
K0739.4106016X75	D	steel	45	60	M16	22	108	33	16	8	75	7
K0739.4106016X100	D	steel	45	60	M16	22	133	33	16	8	100	7
K0739.4106016X150	D	steel	45	60	M16	22	183	33	16	8	150	7
K0739.4106016X200	D	steel	45	60	M16	22	233	33	16	8	200	7
K0739.4206010X50	D	stainless steel	45	60	M10	22	82	32	14	5	50	7
K0739.4206012X50	D	stainless steel	45	60	M12	22	82	32	14	6	50	7
K0739.4206012X100	D	stainless steel	45	60	M12	22	132	32	14	6	100	7
K0739.4206016X75	D	stainless steel	45	60	M16	22	108	33	13	8	75	7
K0739.4206016X100	D	stainless steel	45	60	M16	22	133	33	13	8	100	7
K0739.4206016X150	D	stainless steel	45	60	M16	22	183	33	13	8	150	7
K0739.4206016X200	D	stainless steel	45	60	M16	22	233	33	13	8	200	7