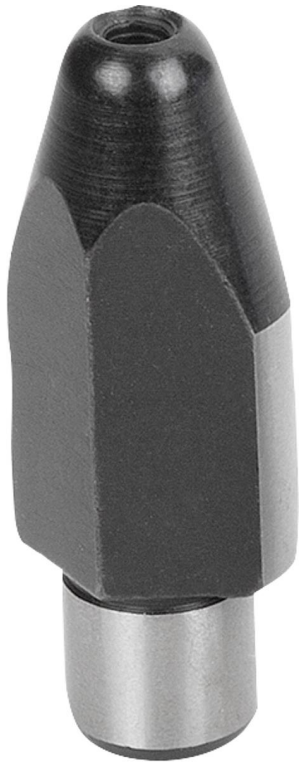


Locating pin with internal thread, Form C, flattened

Item description/product images



Description

Material:
Steel.

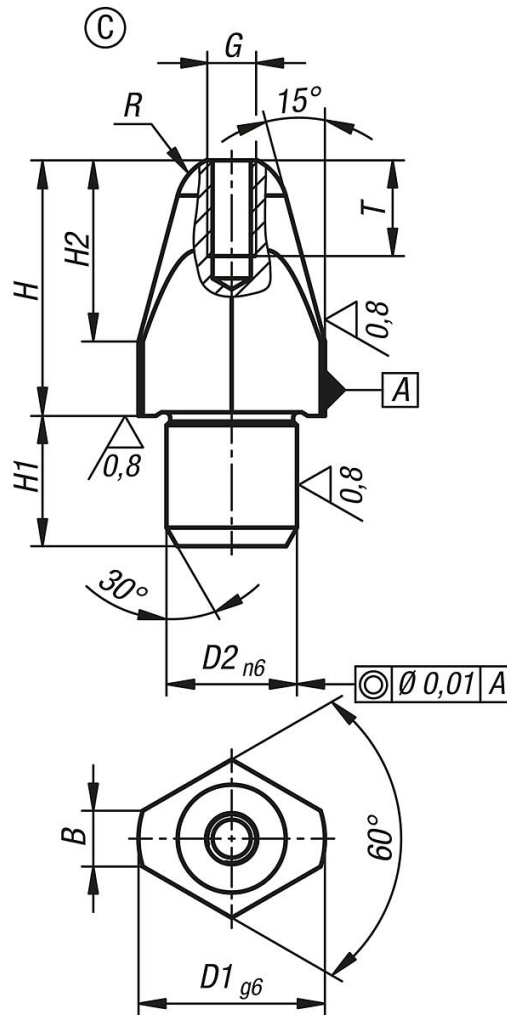
Version:
Hardened and ground (HRC 60 ±2).

Note:
The locating pins are designed to make the joining process easier. Used in combination with hardened locating bushes K1095, they enable exact, low-wear, and fast changes of the workpiece.

Versions D1 = 5 and D1 = 6 do not have an internal thread.

Locating pin with internal thread, Form C, flattened

Drawings



Overview of items

Order No.	Form	Version 1	D1	D2	H	H1	H2	G	R	B	T
K1094.405	C	short	5	3	8	3	5	-	1,50	-	-
K1094.406	C	short	6	4	10	4	6	-	1,80	-	-
K1094.408	C	short	8	6	11,4	6	7,4	M2,5	2,5	2,5	5
K1094.410	C	short	10	7	13,7	7	9,7	M2,5	3	3,0	5
K1094.412	C	short	12	8	16	8	12	M3	3,5	3,5	6
K1094.416	C	short	16	12	20	12	15	M4	5	5	8
K1094.420	C	short	20	14	25,5	14	19,5	M5	6	6	10
K1094.505	C	long	5	3	10	3	5	-	1,50	-	-
K1094.506	C	long	6	4	12	4	6	-	1,80	-	-
K1094.508	C	long	8	6	17,4	6	7,4	M2,5	2,5	2,5	5
K1094.510	C	long	10	7	21,7	7	9,7	M2,5	3	3,0	5
K1094.512	C	long	12	8	24	8	12	M3	3,5	3,5	6
K1094.516	C	long	16	12	29	12	15	M4	5	5	8
K1094.520	C	long	20	14	35,5	14	19,5	M5	6	6	10