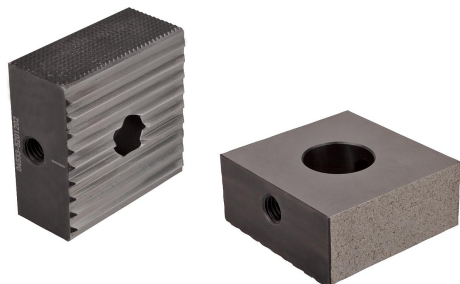


Stop carbide-coated and serrated

Item description/product images



Description

Material:

Carbon steel 1.0503.

Version:

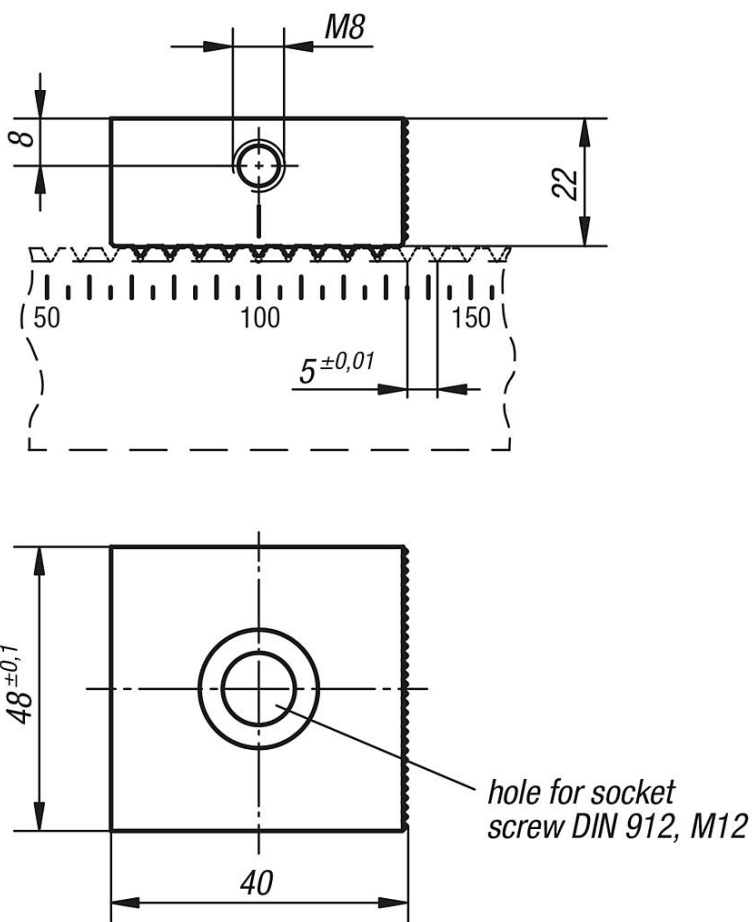
Tempered to 1200–1400 N/mm², black oxidised.

Serrations ground, bright.

Note:

One stop face is serrated, the other side is carbide-coated.

Drawings



Overview of items

Stop, carbide-coated and serrated

Order No.	Dimensions
K0905.5201202	see drawing

