

Hexagon head bolts with flange DIN EN 1665

Item description/product images



Description

Material:

Steel or stainless steel A2.

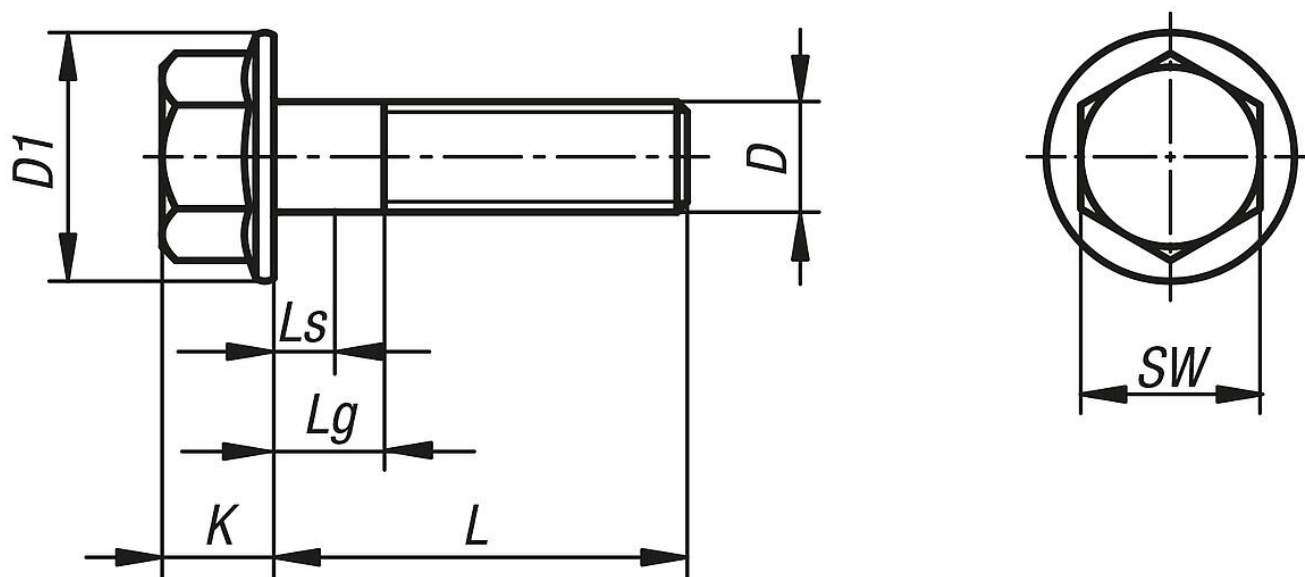
Version:

Steel grade 8.8, electro zinc-plated.

Steel grade 10.9, electro zinc-plated.

Bright stainless steel.

Drawings



Overview of items

Hexagon head screws with flange DIN EN 1665

Order No.	Main material	Grade	D	L	Ls min.	Lg max.	D1	SW	K
K1161.406X12	steel	8.8	M6	12	0	0	14,2	10	6,6
K1161.406X16	steel	8.8	M6	16	0	0	14,2	10	6,6
K1161.406X20	steel	8.8	M6	20	0	0	14,2	10	6,6
K1161.406X25	steel	8.8	M6	25	0	0	14,2	10	6,6
K1161.406X30	steel	8.8	M6	30	7	12	14,2	10	6,6
K1161.408X12	steel	8.8	M8	12	0	0	18	13	8,1
K1161.408X16	steel	8.8	M8	16	0	0	18	13	8,1
K1161.408X20	steel	8.8	M8	20	0	0	18	13	8,1
K1161.408X25	steel	8.8	M8	25	0	0	18	13	8,1
K1161.408X30	steel	8.8	M8	30	0	0	18	13	8,1
K1161.408X35	steel	8.8	M8	35	6,75	13	18	13	8,1
K1161.408X40	steel	8.8	M8	40	11,75	18	18	13	8,1
K1161.408X50	steel	8.8	M8	50	21,75	28	18	13	8,1
K1161.408X60	steel	8.8	M8	60	31,75	38	18	13	8,1
K1161.410X20	steel	8.8	M10	20	0	0	22,3	16	10,4
K1161.410X25	steel	8.8	M10	25	0	0	22,3	16	10,4
K1161.410X30	steel	8.8	M10	30	0	0	22,3	16	10,4
K1161.410X35	steel	8.8	M10	35	0	0	22,3	16	10,4
K1161.410X40	steel	8.8	M10	40	6,5	14	22,3	16	10,4
K1161.410X50	steel	8.8	M10	50	16,5	24	22,3	16	10,4

Hexagon head bolts with flange DIN EN 1665

Overview of items

Order No.	Main material	Grade	D	L	Ls min.	Lg max.	D1	SW	K
K1161.412X20	steel	8.8	M12	20	0	0	26,6	18	11,8
K1161.412X25	steel	8.8	M12	25	0	0	26,6	18	11,8
K1161.412X30	steel	8.8	M12	30	0	0	26,6	18	11,8
K1161.412X40	steel	8.8	M12	40	0	0	26,6	18	11,8
K1161.412X50	steel	8.8	M12	50	11,25	20	26,6	18	11,8
K1161.416X30	steel	8.8	M16	30	0	0	35	24	15,4
K1161.416X35	steel	8.8	M16	35	0	0	35	24	15,4
K1161.416X40	steel	8.8	M16	40	0	0	35	24	15,4
K1161.416X45	steel	8.8	M16	45	0	0	35	24	15,4
K1161.416X50	steel	8.8	M16	50	0	0	35	24	15,4
K1161.416X70	steel	8.8	M16	70	22	32	35	24	15,4
K1161.506X12	steel	10.9	M6	12	0	0	14,2	10	6,6
K1161.506X16	steel	10.9	M6	16	0	0	14,2	10	6,6
K1161.506X20	steel	10.9	M6	20	0	0	14,2	10	6,6
K1161.506X25	steel	10.9	M6	25	0	0	14,2	10	6,6
K1161.506X30	steel	10.9	M6	30	7	12	14,2	10	6,6
K1161.508X12	steel	10.9	M8	12	0	0	18	13	8,1
K1161.508X16	steel	10.9	M8	16	0	0	18	13	8,1
K1161.508X20	steel	10.9	M8	20	0	0	18	13	8,1
K1161.508X25	steel	10.9	M8	25	0	0	18	13	8,1
K1161.508X30	steel	10.9	M8	30	0	0	18	13	8,1
K1161.508X35	steel	10.9	M8	35	6,75	13	18	13	8,1
K1161.508X40	steel	10.9	M8	40	11,75	18	18	13	8,1
K1161.510X25	steel	10.9	M10	25	0	0	22,3	16	10,4
K1161.510X30	steel	10.9	M10	30	0	0	22,3	16	10,4
K1161.510X40	steel	10.9	M10	40	6,5	14	22,3	16	10,4
K1161.512X20	steel	10.9	M12	20	0	0	26,6	18	11,8
K1161.512X35	steel	10.9	M12	35	0	0	26,6	18	11,8
K1161.512X40	steel	10.9	M12	40	0	0	26,6	18	11,8
K1161.512X45	steel	10.9	M12	45	6,25	15	26,6	18	11,8
K1161.512X50	steel	10.9	M12	50	11,25	20	26,6	18	11,8
K1161.516X30	steel	10.9	M16	30	0	0	35	24	15,4
K1161.516X35	steel	10.9	M16	35	0	0	35	24	15,4
K1161.516X40	steel	10.9	M16	40	0	0	35	24	15,4
K1161.516X45	steel	10.9	M16	45	0	0	35	24	15,4
K1161.516X50	steel	10.9	M16	50	0	0	35	24	15,4
K1161.516X60	steel	10.9	M16	60	12	22	35	24	15,4
K1161.106X12	stainless steel A2	70	M6	12	0	0	14,2	10	6,6
K1161.106X16	stainless steel A2	70	M6	16	0	0	14,2	10	6,6
K1161.106X20	stainless steel A2	70	M6	20	0	0	14,2	10	6,6
K1161.106X25	stainless steel A2	70	M6	25	0	0	14,2	10	6,6
K1161.106X30	stainless steel A2	70	M6	30	7	12	14,2	10	6,6
K1161.108X16	stainless steel A2	70	M8	16	0	0	18	13	8,1
K1161.108X20	stainless steel A2	70	M8	20	0	0	18	13	8,1
K1161.108X25	stainless steel A2	70	M8	25	0	0	18	13	8,1
K1161.108X30	stainless steel A2	70	M8	30	0	0	18	13	8,1
K1161.108X35	stainless steel A2	70	M8	35	6,75	13	18	13	8,1
K1161.108X40	stainless steel A2	70	M8	40	11,75	18	18	13	8,1
K1161.108X50	stainless steel A2	70	M8	50	21,75	28	18	13	8,1
K1161.110X20	stainless steel A2	70	M10	20	0	0	22,3	16	10,4
K1161.110X25	stainless steel A2	70	M10	25	0	0	22,3	16	10,4
K1161.110X30	stainless steel A2	70	M10	30	0	0	22,3	16	10,4
K1161.110X35	stainless steel A2	70	M10	35	0	0	22,3	16	10,4
K1161.110X40	stainless steel A2	70	M10	40	6,5	14	22,3	16	10,4
K1161.110X50	stainless steel A2	70	M10	50	11,5	19	22,3	16	10,4
K1161.110X60	stainless steel A2	70	M10	60	16,5	24	22,3	16	10,4

