

# Self-aligning pads, Form D, with external thread, flattened ball, with POM insert

Item description/product images



## Description

### Material:

Body carbon steel,  
ball ball-bearing steel 1.2067,  
inserts POM.

### Version:

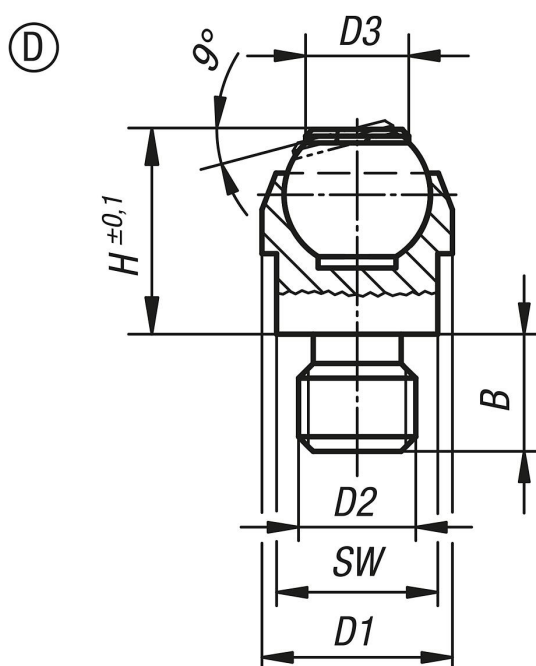
Body tempered and phosphated.  
Ball hardened.

### Note:

Self-aligning pads serve as stops, supports and thrust pads in fixture constructions.

Ball secured against rotation.

## Drawings



## Overview of items

Order No.	Form	B	D1	D2	D3	H	Ball-Ø	SW	Load rating max. kN (static load only)
K0282.208	D	8	13	M8	7,9	13	10	11	10
K0282.210	D	10	20	M10	12,7	18	16	17	25
K0282.212	D	12	20	M12	12,7	18	16	17	25

**Self-aligning pads, Form D, with external thread, flattened ball, with  
POM insert**

Overview of items

---