

Indexing plungers, steel or stainless steel with plastic T-grip and locknut

Item description/product images



Description

Material:

Steel version:
Indexing pin hardened:
pin 1.0718
threaded sleeve 1.0718.

Stainless steel version:
Indexing pin hardened:
pin 1.4305
threaded sleeve 1.4305.

T-grip thermoplastic, black grey or traffic red RAL 3020.

Version:

Steel version:
indexing pin hardened, ground and black oxidised.
Threaded sleeve black oxidised

Stainless steel version:
indexing pin hardened, ground and bright.
Threaded sleeve bright.

Note:

Indexing plungers are used to prevent any change in locking position due to lateral forces. A new locking position can only be set after the pin has been manually disengaged. The ergonomic T-grip enables easy handling and low effort.

On request:

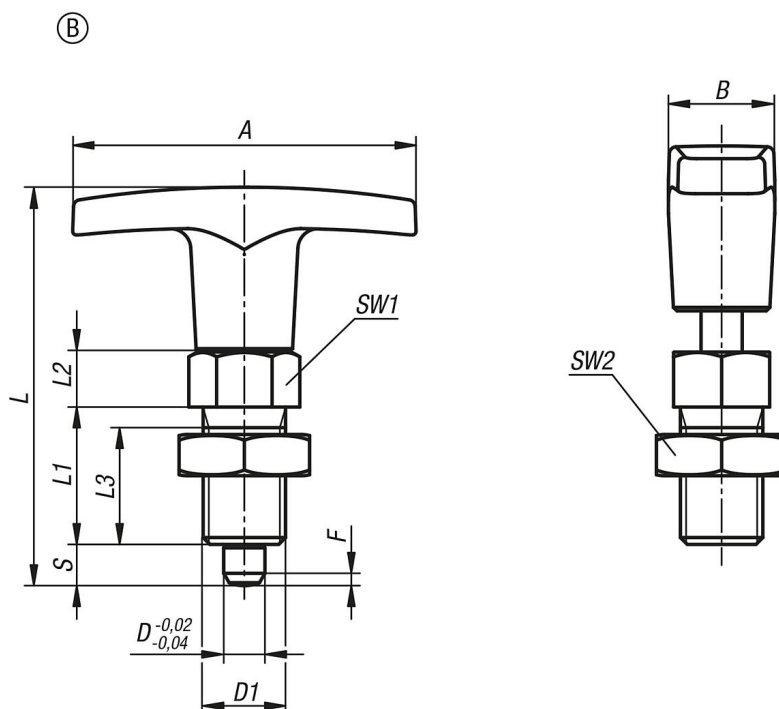
Special versions.

Accessory:

Spacer rings K0665

Indexing plungers, steel or stainless steel with plastic T-grip and locknut

Drawings



Overview of items

Order No.	Main material	Component colour	Form	A	B	D	D1	L	L1	L2	L3	Travel S	SW1	SW2	Fx30°	Spring force initial pressure F1 approx. N	Spring force final pressure F2 approx. N
K1124.6206	steel	black grey RAL 7021	B	50	15,5	6	M12x1,5	58	20	8	17	6	14	19	1,8	6	14
K1124.6308	steel	black grey RAL 7021	B	60	18	8	M16x1,5	77	26	10	23	8	19	24	2,3	15	35
K1124.6410	steel	black grey RAL 7021	B	72	19	10	M20x1,5	84	28	12	25	10	22	30	2,8	15	34
K1124.620684	steel	traffic red RAL 3020	B	50	15,5	6	M12x1,5	58	20	8	17	6	14	19	1,8	6	14
K1124.630884	steel	traffic red RAL 3020	B	60	18	8	M16x1,5	77	26	10	23	8	19	24	2,3	15	35
K1124.641084	steel	traffic red RAL 3020	B	72	19	10	M20x1,5	84	28	12	25	10	22	30	2,8	15	34
K1124.06206	stainless steel	black grey RAL 7021	B	50	15,5	6	M12x1,5	58	20	8	17	6	14	19	1,8	6	14
K1124.06308	stainless steel	black grey RAL 7021	B	60	18	8	M16x1,5	77	26	10	23	8	19	24	2,3	15	35
K1124.06410	stainless steel	black grey RAL 7021	B	72	19	10	M20x1,5	84	28	12	25	10	22	30	2,8	15	34
K1124.0620684	stainless steel	traffic red RAL 3020	B	50	15,5	6	M12x1,5	58	20	8	17	6	14	19	1,8	6	14
K1124.0630884	stainless steel	traffic red RAL 3020	B	60	18	8	M16x1,5	77	26	10	23	8	19	24	2,3	15	35
K1124.0641084	stainless steel	traffic red RAL 3020	B	72	19	10	M20x1,5	84	28	12	25	10	22	30	2,8	15	34