

## UNILOCK 5-axis reducer adapter system size 50 mm

### Item description/product images



### Description

**Material:**

Rust resistant tool steel.

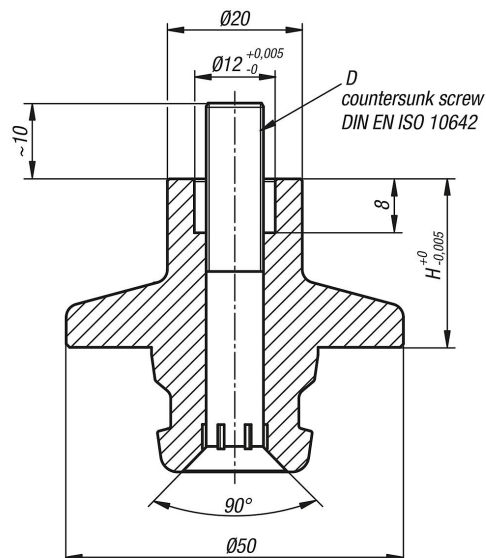
**Version:**

Contact faces hardened and ground.  
Body and clamping pin are one piece.

**Note:**

The UNILOCK 5-axis reducer adapter is suitable for clamping and positioning workpieces.  
Reducer adapters can be screwed onto the workpiece and mounted on the basic module or add-on clamp module.  
The system size 50 add-on module can also be combined with the system size 80.

### Drawings



### Overview of items

#### UNILOCK 5-axis reducer adapter, system size 50 mm

**UNILOCK 5-axis reducer adapter system size 50 mm****Overview of items**

Order No.	Form	D	H
K1120.251081	A	M8	25
K1120.501081	A	M8	50