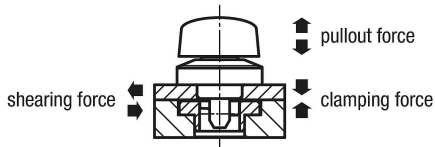


## Quarter-turn clamp locks stainless steel, rotary knob stainless steel

### Item description/product images



### Description

#### Material:

Housing stainless steel.  
Pin steel or stainless steel.  
Pin stainless steel.  
Twist knob stainless steel.

#### Version:

Housing bright.  
Pin nickel plated or bright.  
Pin bright.  
Knob stainless steel, bright.

#### Note:

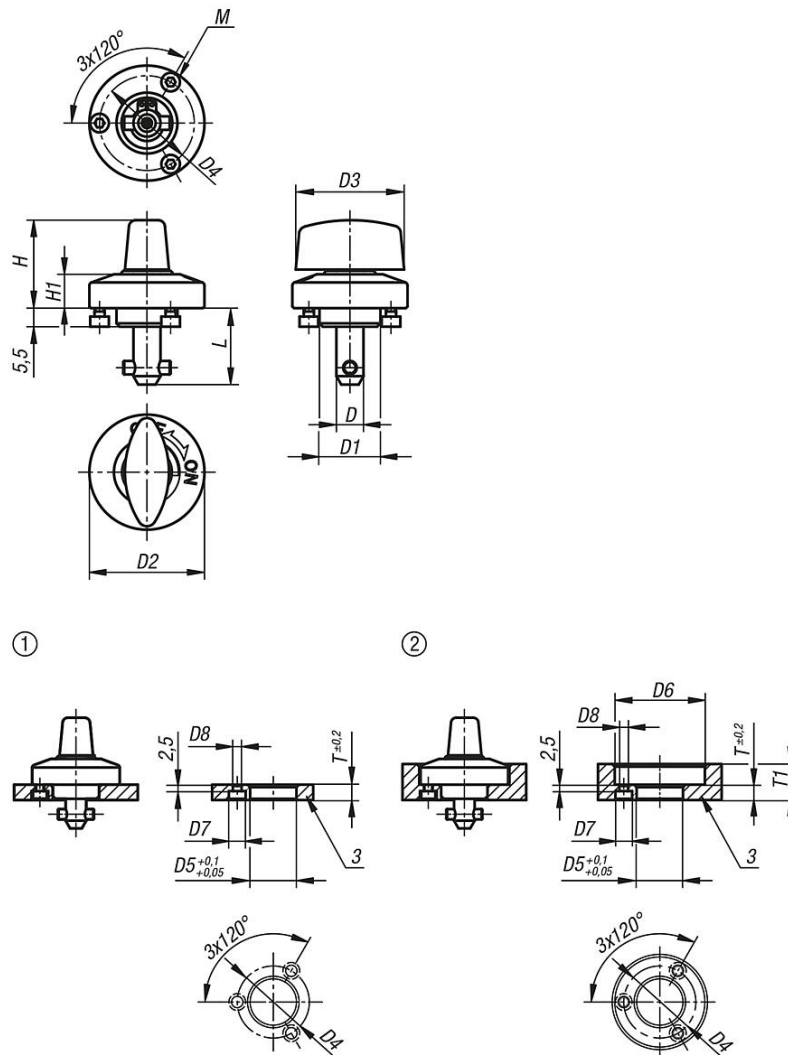
M2 or M3 mounting screws are supplied.  
Mounting option 1 for plate thickness 6 or 12 mm.  
Mounting option 2 for plate thickness 12 to 20 mm.

#### Accessory:

Clamping plates K1062

Quarter-turn clamp locks stainless steel, rotary knob stainless steel

Drawings



Overview of items

| Order No.   | Component material | Version 2           | D | L    | D1 | D2 | D3 | D4 | H    | H1  | M    | D5 | D6 | D7  | D8  | T  | T1    | Clamping force N | Shearing force kN | Pullout force F kN | Temperature resistance |
|-------------|--------------------|---------------------|---|------|----|----|----|----|------|-----|------|----|----|-----|-----|----|-------|------------------|-------------------|--------------------|------------------------|
| K1061.5161  | stainless steel    | pins steel          | 5 | 15,5 | 14 | 25 | 20 | 21 | 19   | 6,5 | M2x3 | 14 | 26 | 4,4 | 2,4 | 6  | 6-10  | 60               | 1,8               | 1,2                | ≤200 °C                |
| K1061.8171  | stainless steel    | pins steel          | 8 | 17   | 18 | 34 | 32 | 28 | 25,5 | 10  | M3x4 | 18 | 35 | 6,5 | 3,4 | 6  | 6-14  | 90               | 3,2               | 2,6                | ≤200 °C                |
| K1061.8231  | stainless steel    | pins steel          | 8 | 23   | 18 | 34 | 32 | 28 | 25,5 | 10  | M3x4 | 18 | 35 | 6,5 | 3,4 | 12 | 12-20 | 90               | 3,2               | 2,6                | ≤200 °C                |
| K1061.15161 | stainless steel    | pin stainless steel | 5 | 15,5 | 14 | 25 | 20 | 21 | 19   | 6,5 | M2x3 | 14 | 26 | 4,4 | 2,4 | 6  | 6-10  | 60               | 1,8               | 1,2                | ≤200 °C                |
| K1061.18171 | stainless steel    | pin stainless steel | 8 | 17   | 18 | 34 | 32 | 28 | 25,5 | 10  | M3x4 | 18 | 35 | 6,5 | 3,4 | 6  | 6-14  | 90               | 3,2               | 2,6                | ≤200 °C                |
| K1061.18231 | stainless steel    | pin stainless steel | 8 | 23   | 18 | 34 | 32 | 28 | 25,5 | 10  | M3x4 | 18 | 35 | 6,5 | 3,4 | 12 | 12-20 | 90               | 3,2               | 2,6                | ≤200 °C                |