

Washers for clamps DIN 6340

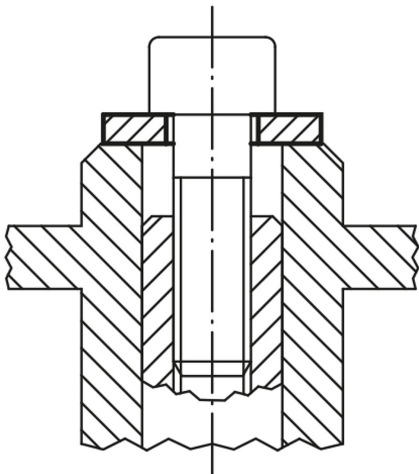
Item description/product images



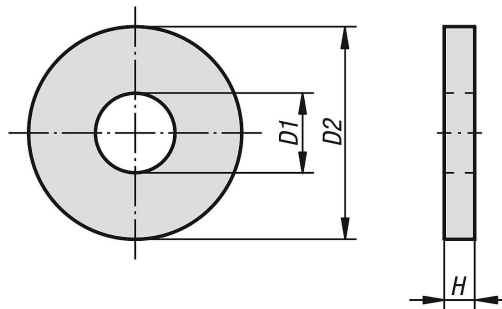
Description

Material:
Steel.

Version:
Stamped out, pressed flat and tempered to 1200-1400 N/mm², black.



Drawings



Overview of items

Heavy-duty washers DIN 6340

Order No.	Material	D1	D2	H	for bolt
K0867.06	steel	6,4	17	3	M6
K0867.08	steel	8,4	23	4	M8
K0867.10	steel	10,5	28	4	M10
K0867.12	steel	13	35	5	M12
K0867.16	steel	17	45	6	M16
K0867.20	steel	21	50	6	M20

