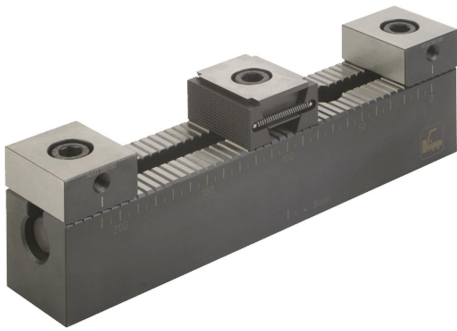


## Multi-clamping system hard stops

### Item description/product images



### Description

#### Material:

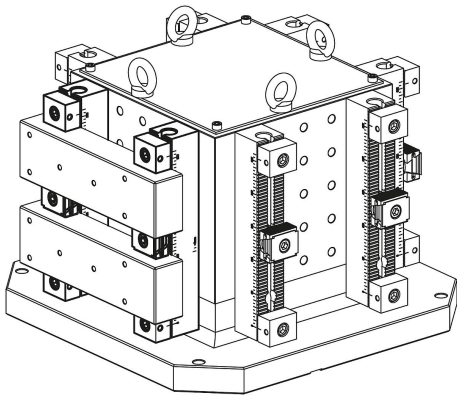
Base rail, stops and wedge clamp carbon steel.

#### Version:

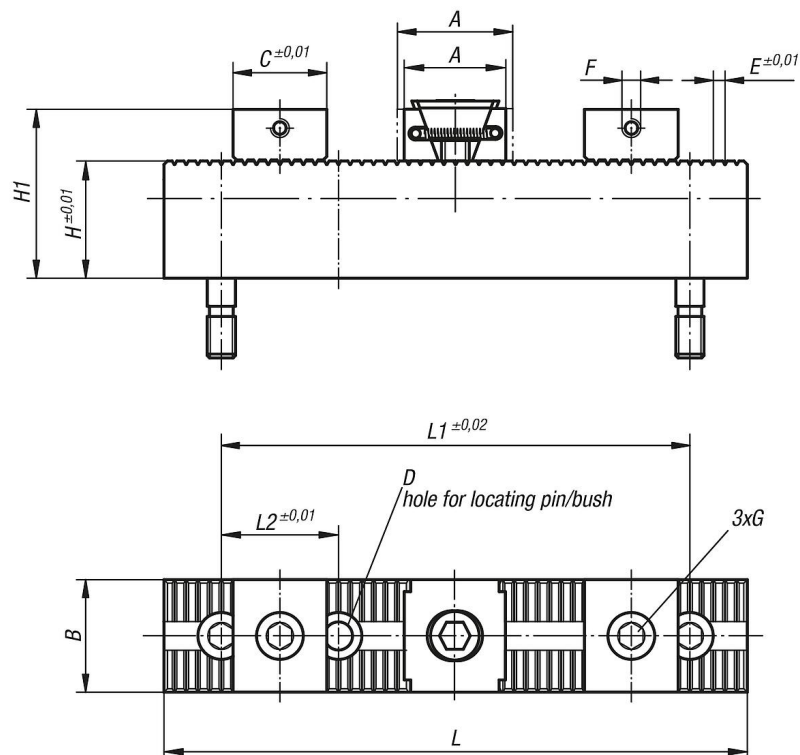
Serrations case hardened and ground.

Stops tempered.

Clamping jaws hardened and black oxidised.



### Drawings



### Overview of items

### Multi-clamping system hard stops

## Multi-clamping system hard stops

### Overview of items

Order No.	A min.	A max.	B	C	D	E	F	G cap screw DIN 912	H	H1	L	L1	L2	Clamping force ca. kN	weight kg
<b>K0902.08</b>	30,5	33,5	24	25	12H6	2,5	M5	M8x25	40	55	199	150	50	15	1,35
<b>K0902.12</b>	44	49,5	48	40	12F7	5	M8	M12x30	50	72	249	200	50	30	4,961
<b>K0902.16</b>	55	62	48	40	16F7	5	M8	M16x40	63	92	249	200	50	50	6,016