

## Locating cylinder Ball Lock

### Item description/product images

---



### Description

**Material:**

Locating cylinder carbon steel.

Balls roller bearing steel.

**Version:**

Locating cylinder tempered, black oxidised.

Balls hardened, bright.

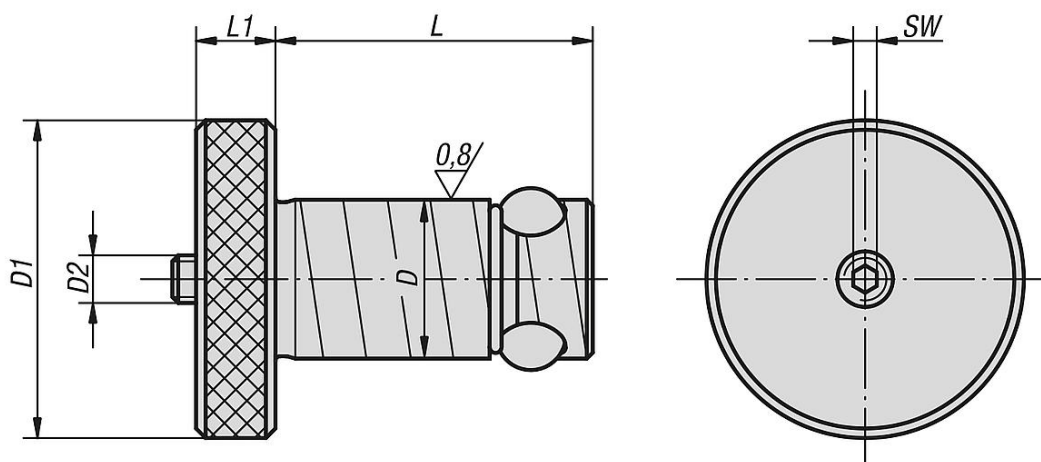
**Note:**

By tightening the thrust screw (D2) the centre ball is pressed downwards and in turn forces the three locking balls outwards, where they locked in the receiver bush. With this easy to use system machine set-up times are up to twelve times shorter than when conventional methods are used.



# Locating cylinder Ball Lock

## Drawings



## Overview of items

### Locating cylinders Ball lock

Order No.	Grid plate thickness $\pm 0,05$	D	D1	D2	L	L1	SW	Holding force F kN	Tightening torque max. Nm	Order No. Repair Kit
K0935.13013	13	13	22	M5	27,6	6	2,5	3,3	1	K0935.913013
K0935.13020	20	13	22	M5	34,6	6	2,5	3,3	1	K0935.913020
K0935.16020	20	16	32	M6	36,5	8	3	5,3	3	K0935.916020
K0935.16025	25	16	32	M6	41,5	8	3	5,3	3	K0935.916025
K0935.20020	20	20	40	M6	39,5	10	3	13,3	4	K0935.920020
K0935.20025	25	20	40	M6	44,5	10	3	13,3	4	K0935.920025
K0935.25020	20	25	45	M8	44	10	4	30	9	K0935.925020
K0935.25025	25	25	45	M8	49	10	4	30	9	K0935.925025
K0935.30020	20	30	50	M10	49	13	5	44	15	K0935.930020
K0935.30025	25	30	50	M10	54	13	5	44	15	K0935.930025
K0935.35020	20	35	60	M12	51	13	6	68	25	K0935.935020
K0935.35025	25	35	60	M12	56	13	6	68	25	K0935.935025
K0935.35040	40	35	60	M12	71	13	6	68	25	K0935.935040
K0935.35050	50	35	60	M12	81	13	6	68	25	K0935.935050
K0935.50020	20	50	75	M20	64	20	10	88	50	K0935.950020
K0935.50025	25	50	75	M20	69	20	10	88	50	K0935.950025
K0935.50040	40	50	75	M20	84	20	10	88	50	K0935.950040
K0935.50050	50	50	75	M20	94	20	10	88	50	K0935.950050