

Removable locating pins Forms A and C

Item description/product images



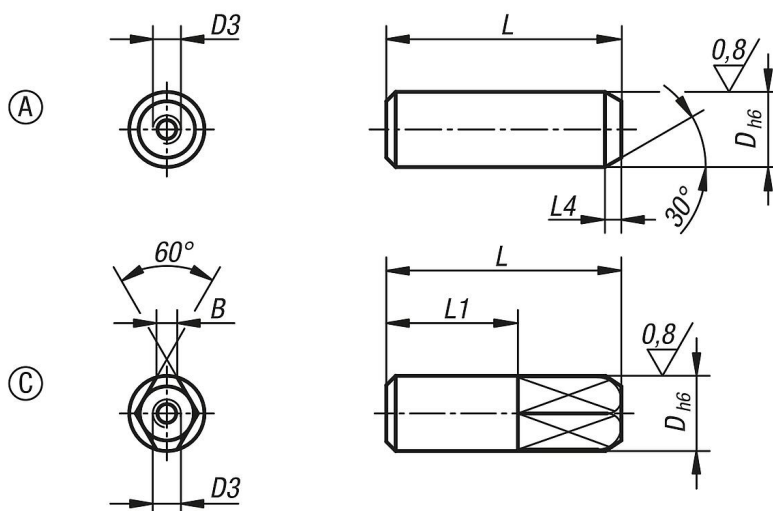
Description

Material:
Tool steel.

Version:
Hardened and ground (HRC 56 +2).

Note:
The locating pins can be easily removed with an extractor.

Drawings



Overview of items

Locating pins Form A and C

Order No. Form A	Order No. Form C	D	D3	L	L1	L4	B
K0817.08	K0817.082	8	M3	25	-/14	3/-	-/2,2
K0817.10	K0817.102	10	M3	30	-/17	3/-	-/3
K0817.12	K0817.122	12	M5	34	-/20	4/-	-/3,5
K0817.16	K0817.162	16	M5	42	-/26	4/-	-/5
K0817.20	K0817.202	20	M5	47	-/30	5/-	-/6
K0817.25	K0817.252	25	M5	49	-/30	5/-	-/8

