

# UNILOCK 5-axis reducer adapter size 80 mm

## Item description/product images



### Description

#### Material:

Body rust-free tool steel.  
Clamping pin low carbon steel.

#### Version:

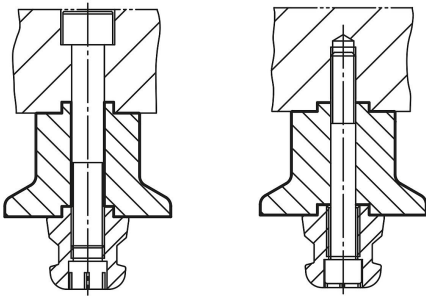
Contact faces on the body hardened and ground.  
Clamping pin oxidised. Contact faces hardened and ground.

#### Note:

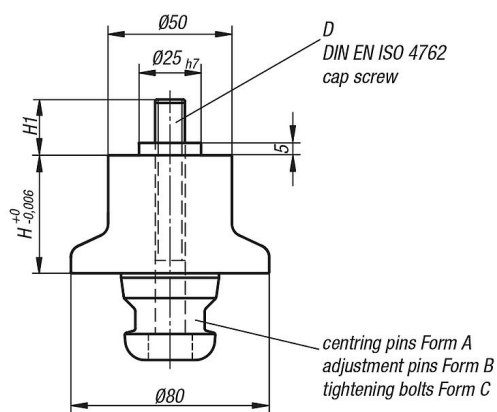
The UNILOCK 5-axis reducer adapter is suitable for clamping and positioning workpieces. Reducer adapters can be screwed onto the workpiece and mounted on the basic module or add-on module. Reducer adapters are available as hardened versions.

#### On request:

- Soft version
- Height 25 mm

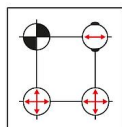


## Drawings



- Centring pins = Form A
- ⊖ Adjustment pins = Form B
- ⊕ Tightening bolts = Form C

fixes in x and y axis (reference point)  
fixes the free axis (bayonet pin)  
Pins with undersize (no centring function, clamping only)



## UNILOCK 5-axis reducer adapter size 80 mm

### Overview of items

---

#### UNILOCK 5-axis reducer adapter

Order No.	Version 2	Form	Form definition	D	H	H1
K0966.501101	hard	A	Centring Pin	M10X100	50	25,5
K0966.502101	hard	B	adjustment pin	M10X100	50	25,5
K0966.503101	hard	C	Clamping Pin	M10X100	50	25,5
K0966.501121	hard	A	Centring Pin	M12X100	50	27,5
K0966.502121	hard	B	adjustment pin	M12X100	50	27,5
K0966.503121	hard	C	Clamping Pin	M12X100	50	27,5