

## Levelling feet plates, plastic, heavy-duty version, Form D

### Item description/product images

---



### Description

**Material:**

Plates, thermoplastic, fibreglass reinforced.  
Anti-slip plate thermoplastic elastomer.

**Version:**

Black.

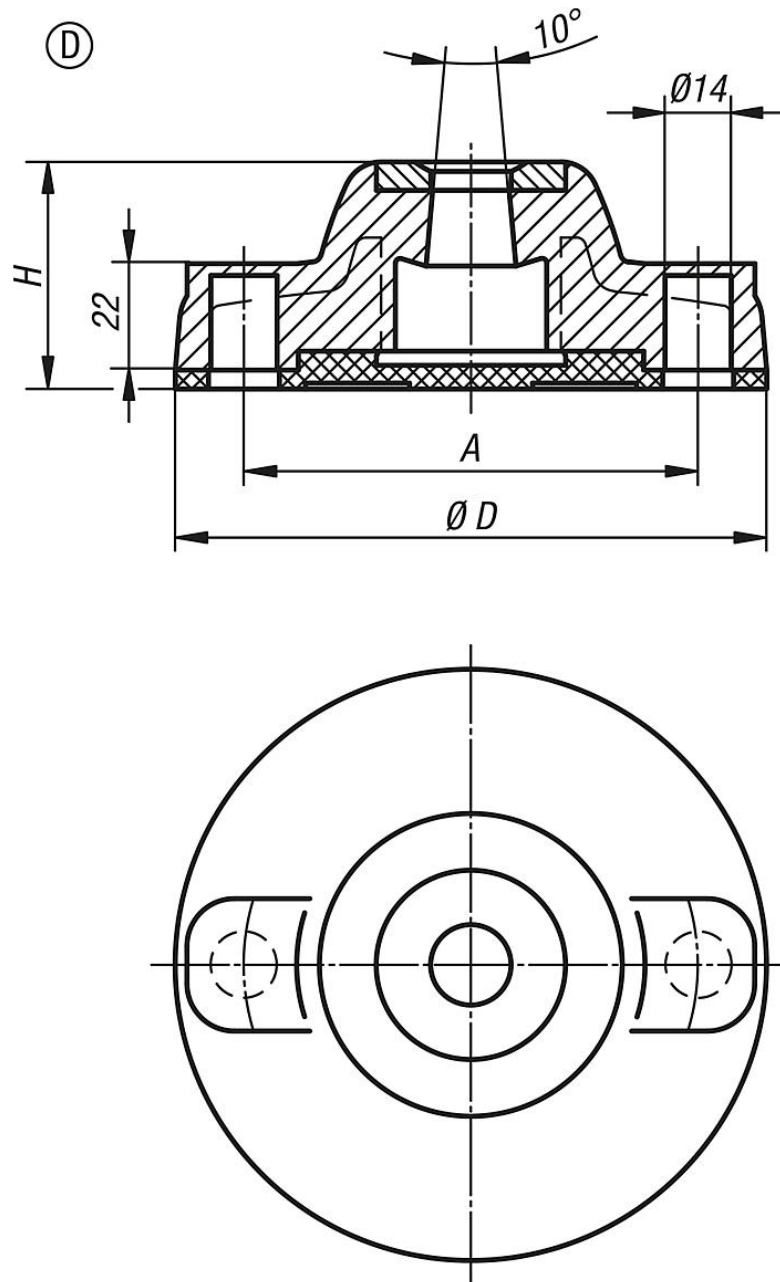
**Note:**

Levelling feet consist of a plate and a threaded spindle. Any plate can be combined with any threaded spindle.

The anti-slip plate absorbs vibrations and prevents the levelling foot slipping.  
For matching threaded spindles see K0427.

# Levelling feet plates, plastic, heavy-duty version, Form D

## Drawings



## Overview of items

Order No.	Form	D	A	H	Load rating max. kN
K0424.41251	D	125	96	48	18
K0424.41751	D	175	135	49	25