

Screw plugs Form B, with fill symbol and vent hole

Item description/product images



Description

Material:

Thermoplastic polyamide 66;
O-ring in rubber (NBR)

Version:

Black.

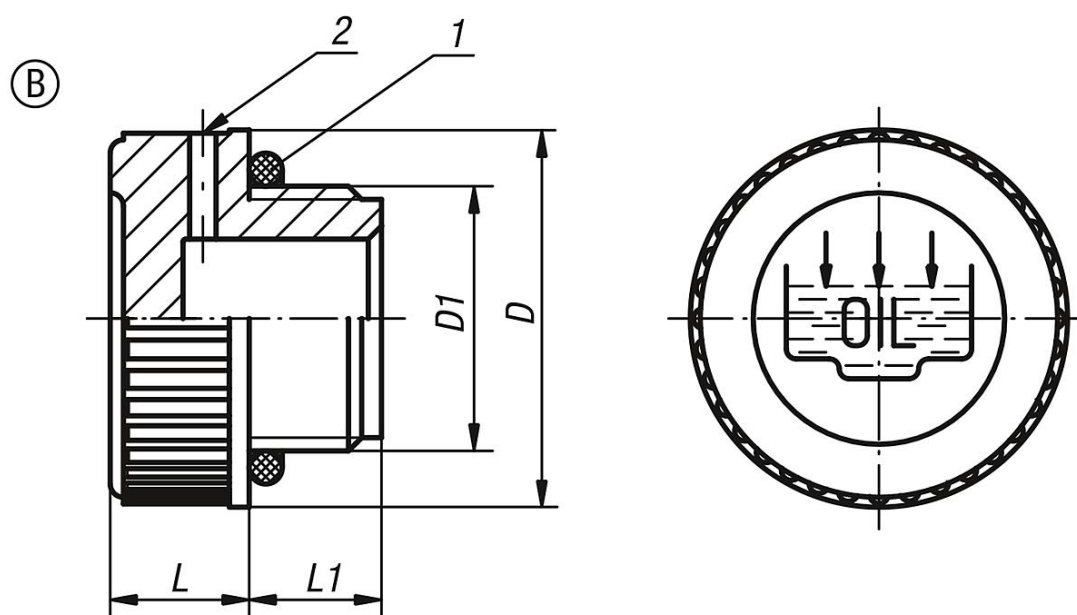
Temperature range:

Temperature resistant with oil up to 100°C.

Drawing reference:

- 1) O-ring
- 2) vent hole

Drawings



Overview of items

Order No.	Form	D	D1	L	L1
K0455.220014	B	20	G1/4	9	9
K0455.220038	B	20,5	G3/8	9	10
K0455.228012	B	28	G1/2	10,5	10,5
K0455.231034	B	31	G3/4	12	11
K0455.239100	B	39	G1	12	12
K0455.249114	B	49	G1 1/4	13	13,5
K0455.255112	B	55	G1 1/2	14,7	14,5
K0455.268200	B	68,5	G2	15	16
K0455.2201415	B	20	M14X1,5	9	9
K0455.2201615	B	20	M16X1,5	9	10
K0455.2281815	B	28	M18X1,5	10,5	10
K0455.2282015	B	28	M20X1,5	10,5	10
K0455.2282215	B	28	M22X1,5	10,5	10

Screw plugs Form B, with fill symbol and vent hole

Overview of items
