

Press-in plugs Form C, with vent and air filter

Item description/product images



Description

Material:

Housing and cap thermoplastic polyamide 66.
Air filter polyurethane (PU foam).
O-ring rubber (NBR).

Version:

Housing black.
Cap red.
Filter mesh 50 μm .

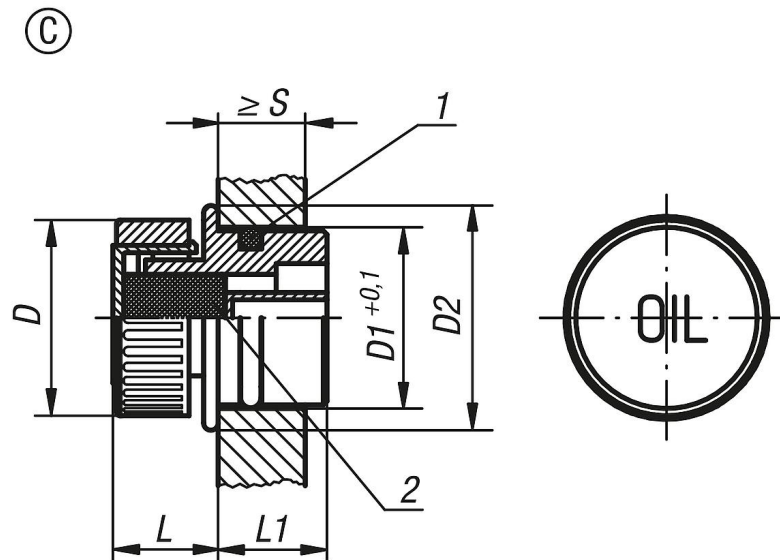
Temperature range:

Temperature resistant with oil up to 100°C.

Drawing reference:

- 1) O-ring
- 2) air filter

Drawings



Overview of items

| Order No. | Form | D | D1 | D2 | L | L1 | S min. |
|-------------|------|----|----|----|----|------|-----------|
| K0451.33018 | C | 30 | 18 | 23 | 14 | 14 | 8 |
| K0451.33020 | C | 30 | 20 | 24 | 14 | 15,5 | 8 |
| K0451.33026 | C | 30 | 26 | 30 | 14 | 16,5 | 9,5 |
| K0451.33030 | C | 30 | 30 | 34 | 14 | 17 | 9,5 |