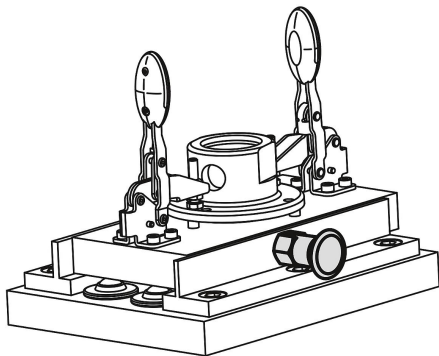


Indexing plungers, steel or stainless steel with plastic mushroom grip, locking slot and locknut

Item description/product images



Description

Material:

Steel version:

Grub screw and indexing pin steel.

Stainless steel version:

Indexing pin hardened:

Threaded sleeve 1.4305.

Indexing pin 1.4034.

Indexing pin not hardened:

Threaded sleeve 1.4305.

Indexing pin 1.4305.

Mushroom grip black grey thermoplastic.

Version:

Steel version:

Threaded sleeve, black oxidised.

Indexing pin hardened, ground and black oxidised.

Stainless steel version:

Threaded sleeve, bright.

Indexing pin hardened, ground and bright.

Indexing pin not hardened, ground and bright.

Note:

Indexing plungers are used to prevent any change in locking position due to lateral forces. A new locking position can only be set after the pin has been manually disengaged. Form C or D is recommended for applications in which the pin is disengaged over extended periods and should be prevented from springing back.

On request:

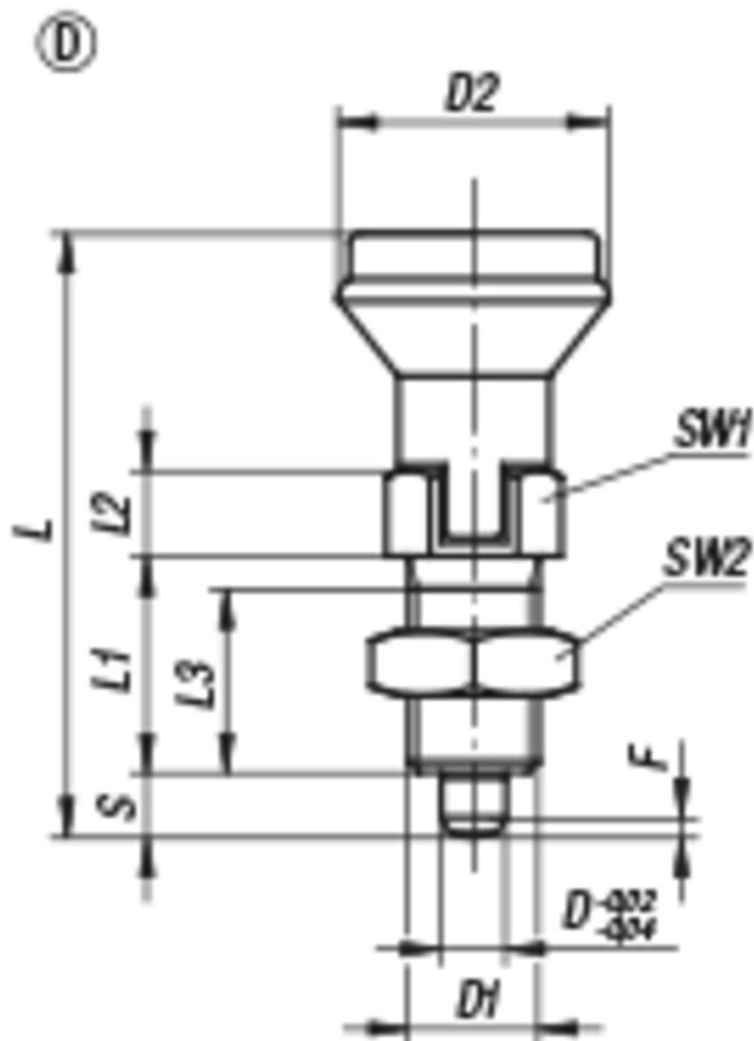
Special versions.

Accessory:

Spacer rings K0665

Indexing plungers, steel or stainless steel with plastic mushroom grip, locking slot and locknut

Drawings



Overview of items

Order No.	Form	Main material	locating pin	D	D1	D2	L	L1	L2	L3	Travel S	SW1	SW2	Fx30°	Spring force initial pressure F1 approx. N	Spring force final pressure F2 approx. N
K0339.4105	D	steel	hardened	5	M10x1	21	47	17	7	15	5	13	17	1,3	5	12
K0339.4206	D	steel	hardened	6	M12x1,5	25	56	20	8	17	6	14	19	1,8	6	14
K0339.4308	D	steel	hardened	8	M16x1,5	33	74	26	10	23	8	19	24	2,3	15	35
K0339.4410	D	steel	hardened	10	M20x1,5	33	80	28	12	25	10	22	30	2,8	15	34
K0339.04105	D	stainless steel	hardened	5	M10x1	21	47	17	7	15	5	13	17	1,3	5	12
K0339.04206	D	stainless steel	hardened	6	M12x1,5	25	56	20	8	17	6	14	19	1,8	6	14
K0339.04308	D	stainless steel	hardened	8	M16x1,5	33	74	26	10	23	8	19	24	2,3	15	35
K0339.04410	D	stainless steel	hardened	10	M20x1,5	33	80	28	12	25	10	22	30	2,8	15	34
K0339.14105	D	stainless steel	not hardened	5	M10x1	21	47	17	7	15	5	13	17	1,3	5	12
K0339.14206	D	stainless steel	not hardened	6	M12x1,5	25	56	20	8	17	6	14	19	1,8	6	14
K0339.14308	D	stainless steel	not hardened	8	M16x1,5	33	74	26	10	23	8	19	24	2,3	15	35
K0339.14410	D	stainless steel	not hardened	10	M20x1,5	33	80	28	12	25	10	22	30	2,8	15	34

**Indexing plungers, steel or stainless steel with plastic mushroom grip,
locking slot and locknut**

