

Fixture feet with internal thread, Form C hardened spherical face

Item description/product images



Description

Material:

Body high carbon steel.

Version:

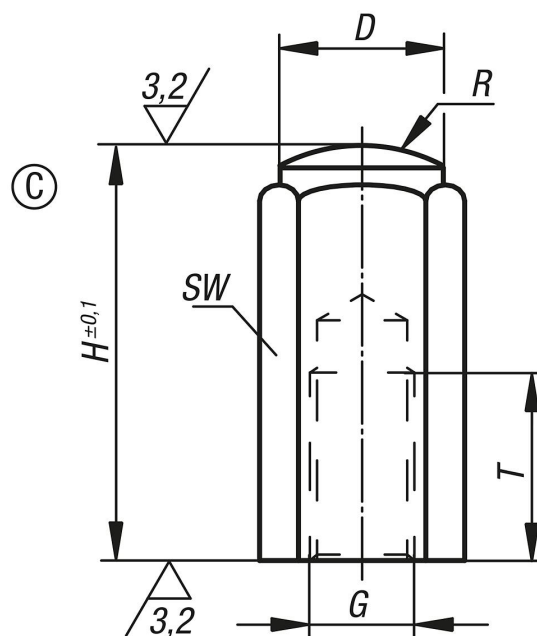
Body tempered and black oxidised.

Contact faces case-hardened.

Note:

Fixture feet with internal thread are used as supports for fixtures or rough or machined workpieces. They can also be used as stops or thrust pads in fixtures and toolmaking.

Drawings



Overview of items

Order No.	Form	D	G	H	R	T	SW
K0301.306X20	C	9,5	M6	20	15	12	10
K0301.306X40	C	9,5	M6	40	15	12	10
K0301.310X32	C	16,5	M10	32	30	18	17
K0301.310X63	C	16,5	M10	63	30	18	17

Fixture feet with internal thread, Form C hardened spherical face

Overview of items

Order No.	Form	D	G	H	R	T	SW
K0301.312X32	C	18,5	M12	32	35	18	19
K0301.312X63	C	18,5	M12	63	35	18	19
K0301.316X50	C	23	M16	50	40	24	24
K0301.316X100	C	23	M16	100	40	24	24