

Positioning feet, Form C hardened spherical face

Item description/product images



Description

Material:

Body high carbon steel.

Version:

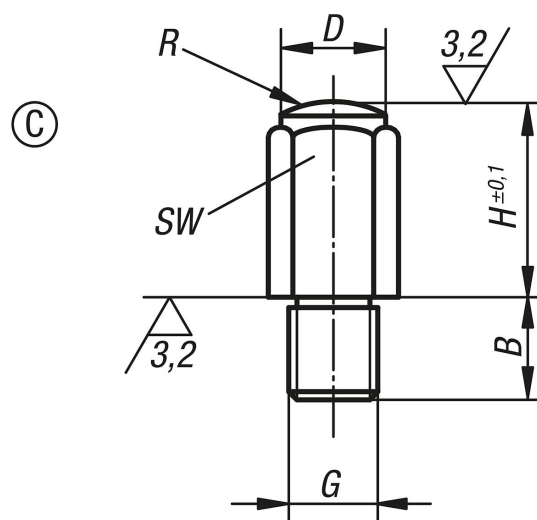
Body tempered and black oxidised.

Contact faces case-hardened.

Note:

These positioning feet are used as supports for rough and machined parts. They can also be used as stops and thrust pads in fixtures and toolmaking.

Drawings



Overview of items

Order No.	Form	B	D	G	H	R	SW
K0299.306010	C	11	10	M6	10	15	10
K0299.306020	C	11	10	M6	20	15	10
K0299.308010	C	13	13	M8	10	20	13
K0299.308015	C	13	13	M8	15	20	13
K0299.308030	C	13	13	M8	30	20	13
K0299.310010	C	16	17	M10	10	30	17
K0299.310020	C	16	17	M10	20	30	17

Positioning feet, Form C hardened spherical face

Overview of items

Order No.	Form	B	D	G	H	R	SW
K0299.310040	C	16	17	M10	40	30	17
K0299.312010	C	20	19	M12	10	40	19
K0299.312025	C	20	19	M12	25	35	19
K0299.312050	C	20	19	M12	50	35	19
K0299.316015	C	24	27	M16	15	50	27
K0299.316030	C	24	27	M16	30	50	27
K0299.316060	C	24	27	M16	60	50	27
K0299.320040	C	29	32	M20	40	60	32
K0299.320080	C	29	32	M20	80	60	32