

# Positioning feet with internal thread and spherical face face, Form E

## Item description/product images



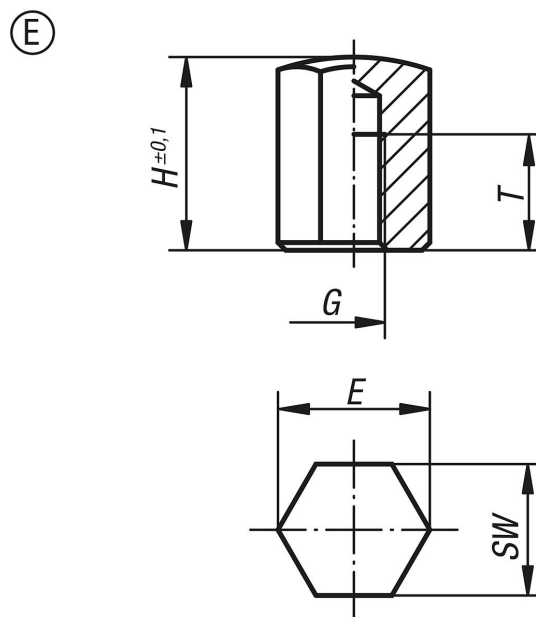
### Description

**Material:**  
Steel.

**Version:**  
Case-hardened and black oxidised.

**Note:**  
Positioning feet are used as supports, stops and thrust pads for fixtures and general machine and appliance construction.

## Drawings



## Overview of items

Order No.	Form	G	H	T	E	SW
K0298.510	E	M6	10	6	14,4	13
K0298.5151	E	M6	15	10	14,4	13
K0298.5101	E	M8	10	6	19,4	17
K0298.515	E	M8	15	6	19,4	17
K0298.5251	E	M8	25	16	19,4	17
K0298.5201	E	M10	20	10	21,9	19
K0298.5302	E	M10	30	15	21,9	19
K0298.5401	E	M10	40	15	21,9	19
K0298.520	E	M12	20	10	25,2	22
K0298.525	E	M12	25	15	25,2	22
K0298.530	E	M12	30	20	25,2	22
K0298.540	E	M12	40	25	25,2	22
K0298.550	E	M12	50	25	25,2	22

## Positioning feet with internal thread and spherical face face, Form E

### Overview of items

Order No.	Form	G	H	T	E	SW
K0298.5301	E	M16	30	20	33	30
K0298.5501	E	M16	50	25	33	30