

Positioning feet with internal thread and flat face, Form D

Item description/product images



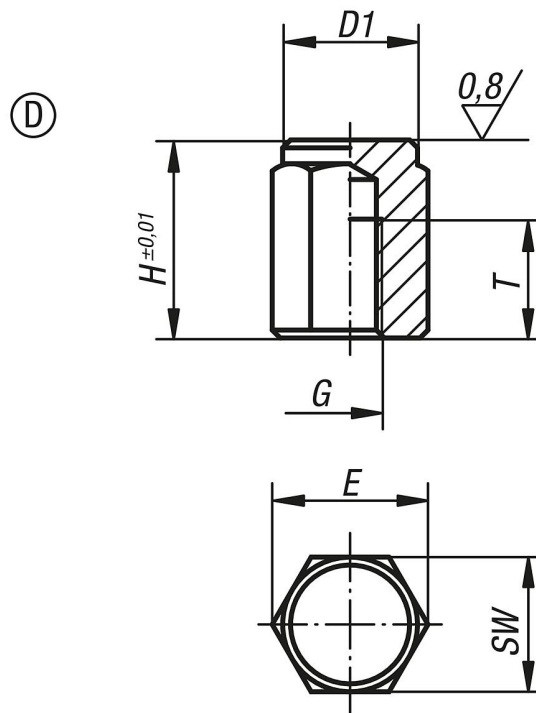
Description

Material:
Steel.

Version:
Case-hardened and black oxidised.

Note:
Positioning feet are used as supports, stops and thrust pads for fixtures and general machine and appliance construction.

Drawings



Overview of items

Order No.	Form	D1	G	H	T	E	SW
K0298.410	D	13	M6	10	6	14,4	13
K0298.4151	D	13	M6	15	10	14,4	13
K0298.4101	D	17	M8	10	6	19,4	17
K0298.415	D	17	M8	15	6	19,4	17
K0298.4251	D	17	M8	25	16	19,4	17
K0298.4201	D	19	M10	20	10	21,9	19
K0298.4302	D	19	M10	30	15	21,9	19
K0298.4401	D	19	M10	40	15	21,9	19

Positioning feet with internal thread and flat face, Form D

Overview of items

Order No.	Form	D1	G	H	T	E	SW
K0298.420	D	22	M12	20	10	25,2	22
K0298.425	D	22	M12	25	15	25,2	22
K0298.430	D	22	M12	30	20	25,2	22
K0298.440	D	22	M12	40	25	25,2	22
K0298.450	D	22	M12	50	25	25,2	22
K0298.4301	D	30	M16	30	20	33	30
K0298.4501	D	30	M16	50	25	33	30