

## Positioning feet with external thread and serrated face, Form C

### Item description/product images



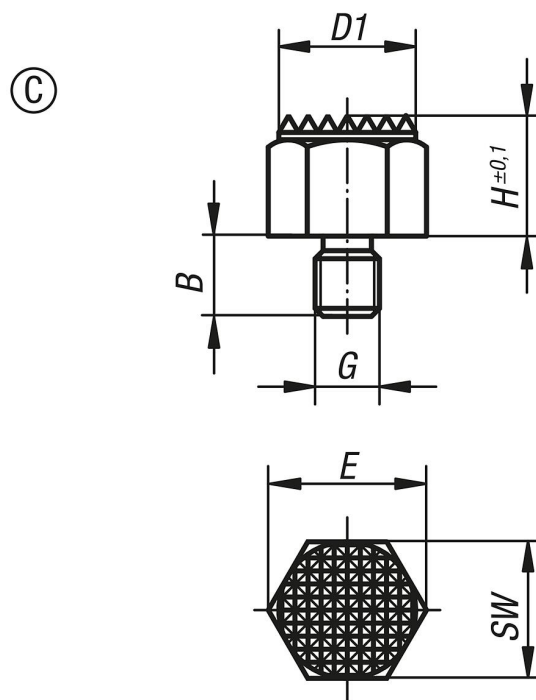
### Description

**Material:**  
Steel.

**Version:**  
Case-hardened and black oxidised.

**Note:**  
Positioning feet are used as supports, stops and thrust pads for fixtures and general machine and appliance construction.

### Drawings



### Overview of items

| Order No.  | Form | B  | D1 | G   | H  | E    | SW | Tightening torque max. Nm |
|------------|------|----|----|-----|----|------|----|---------------------------|
| K0298.308  | C    | 8  | 13 | M6  | 8  | 14,4 | 13 | 8,5                       |
| K0298.3102 | C    | 10 | 13 | M6  | 10 | 14,4 | 13 | 8,5                       |
| K0298.3081 | C    | 10 | 17 | M8  | 8  | 19,4 | 17 | 18                        |
| K0298.3101 | C    | 10 | 17 | M8  | 10 | 19,4 | 17 | 18                        |
| K0298.3103 | C    | 12 | 19 | M10 | 10 | 21,9 | 19 | 32                        |
| K0298.3152 | C    | 12 | 19 | M10 | 15 | 21,9 | 19 | 32                        |
| K0298.310  | C    | 14 | 22 | M12 | 10 | 25,2 | 22 | 60                        |
| K0298.315  | C    | 14 | 22 | M12 | 15 | 25,2 | 22 | 60                        |
| K0298.3151 | C    | 19 | 30 | M16 | 15 | 33   | 30 | 140                       |
| K0298.3201 | C    | 19 | 30 | M16 | 20 | 33   | 30 | 140                       |

## **Positioning feet with external thread and serrated face, Form C**

Overview of items

---