

# Pull handles, round stainless steel with wide washers, fastened from the rear

Item description/product images



## Description

### Material:

Handle stainless steel 1.4305.  
Fasteners stainless steel 1.4301.

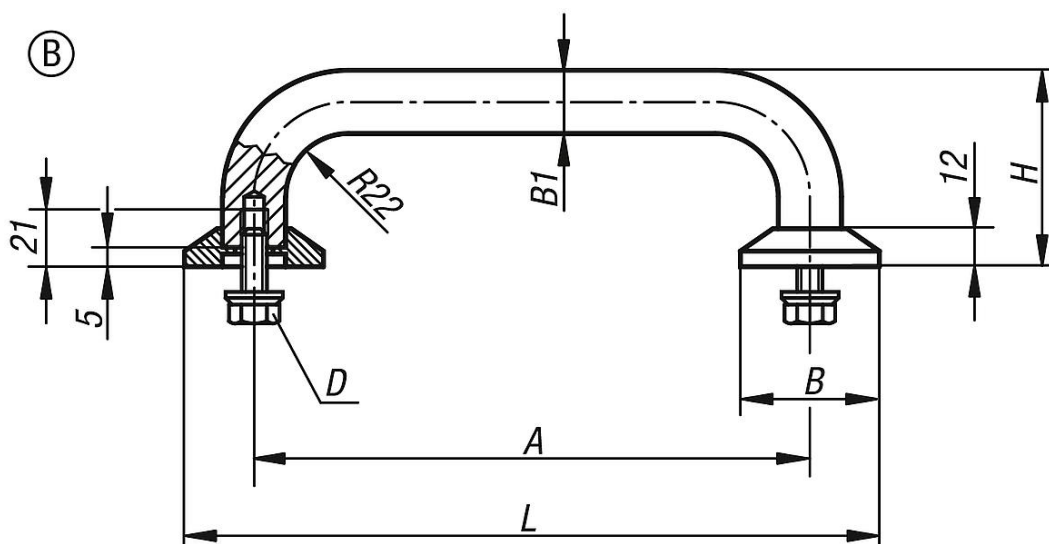
### Version:

Fastening from the rear.

### Note:

These stainless steel pull handles are ideal for all technical applications where highest load and high chemical or corrosive resistance is required.

## Drawings



## Overview of items

### Stirrup-shaped handles, in stainless steel

Order No.	Form	A	B	B1	D	H	L	Load capacity N
K0215.2002	B	200	50	20	M8	75	250	1000
K0215.2502	B	250	50	20	M8	75	300	1000