

Pull handles arched, entirely plastic, with end caps

Item description/product images



Description

Material:

Glass-bead reinforced thermoplastic.

Version:

matt black.

Note:

Ergonomic and functional pull handles with temperature resistance of -50 °C to +130 °C.

Supplied with DIN 912 socket head screws, DIN 934 nuts and DIN 125 electro zinc-plated washers as well as caps for Form B.

Form A are supplied without caps.

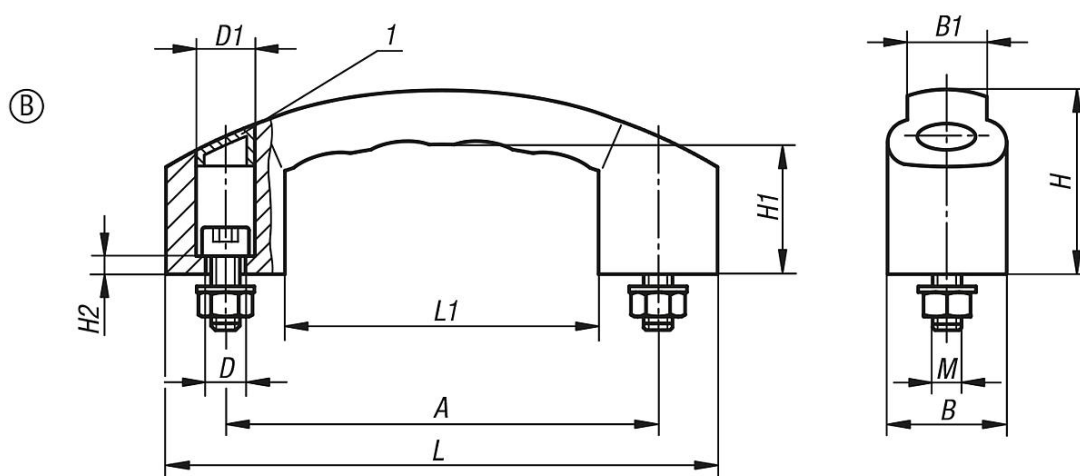
Assembly:

From the front.

Drawing reference:

1) cover cap

Drawings



Overview of items

Bow handles

Order No.	Form	Version	A	B	B1	D	D1	H	H1	H2	L	L1	M	Load capacity N
K0192.212008	B	with cover cap	120	33	22	9	14	51	36	5	153	87	M8x30	1000
K0192.214008	B	with cover cap	140	38	26	9,5	15	59	42	6	178	101	M8x30	1000

Pull handles arched, entirely plastic, with end caps

Overview of items
