

Tension lever with reamed hole.

Item description/product images



Description

Material:

Steel parts grade 5.8.
Ball knob black plastic.

Version:

Black oxidised.

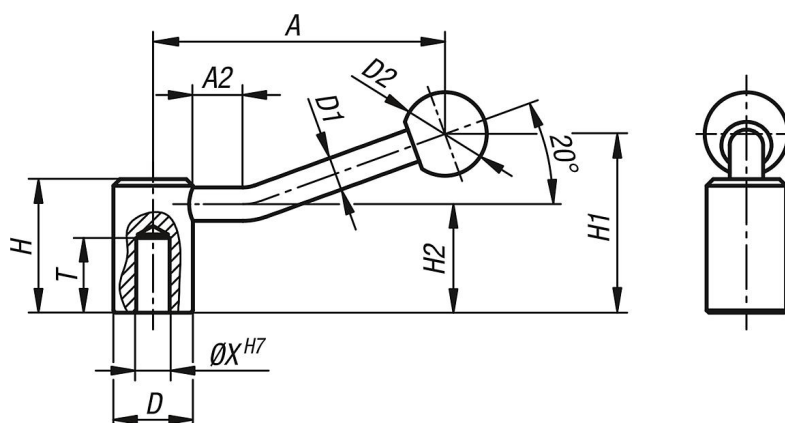
Note:

Tension levers can be used for simple clamping or control operations.
Where applicable, there must be enough space available so that the grip can be rotated 360°.

On request:

Other internal threads, reamed holes and special versions.
Dimension "A" available in other lengths at extra charge.

Drawings



Overview of items

Tension lever

Order No.	Thread type	Size	X	D	D1	D2	H	H1	H2	A	A2	T
K0176.110	reamed hole	1	10	24	10	25	40	52,5	32,5	84,5	15	22
K0176.112	reamed hole	2	12	28	12	32	46	61	36,5	100	15	25
K0176.114	reamed hole	2	14	28	12	32	46	61	36,5	100	15	25
K0176.116	reamed hole	3	16	33	13	32	52	72	41	121	15	28
K0176.120	reamed hole	4	20	41	13	32	61	80	49	123	15	32