

# Latches adjustable, fastening holes covered, Form C

## Item description/product images



### Description

**Material:**

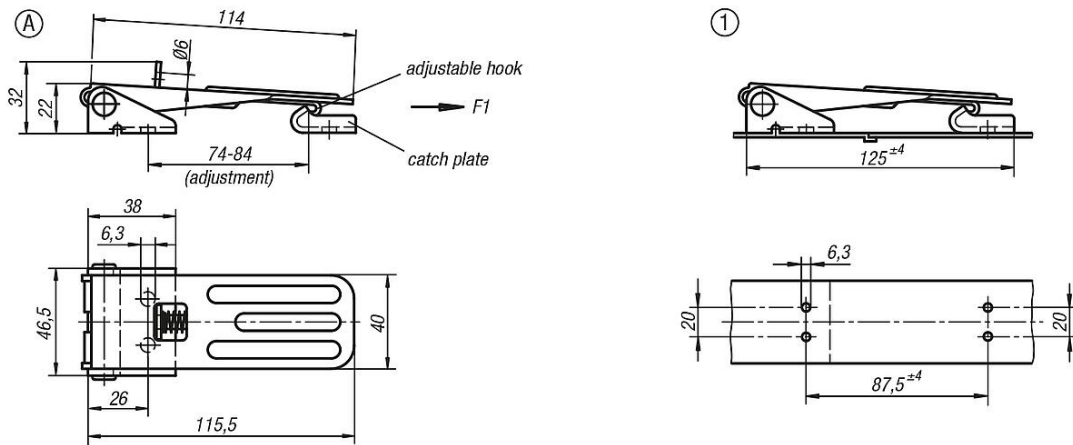
Steel or stainless steel 1.4301.

**Version:**

Steel trivalent blue passivated.

Stainless steel bright.

## Drawings



## Overview of items

### Latches adjustable, fastening holes covered

Order No.	Main material	Form	Retaining force F1 N
K0049.3631161	steel	C	4000
K0049.3631162	stainless steel	C	4000