

Latches adjustable, fastening holes accessible, Form B

Item description/product images

Description

Material:

Steel or stainless steel 1.4301.

Version:

Steel trivalent blue passivated.

Stainless steel bright.

Note:

Adjustable latches are secure locking systems for industrial applications. By exceeding the dead center they resist vibration. These latches are very robust and have a low overall height.

After the hook is engaged with the catch plate, the parts to be locked can be drawn together by up to 6 mm by pushing the lever down. To compensate for tolerances or to create enough tension, the hook length can be adjusted using the M6 threaded spindle.

The latches can be screwed down or riveted.

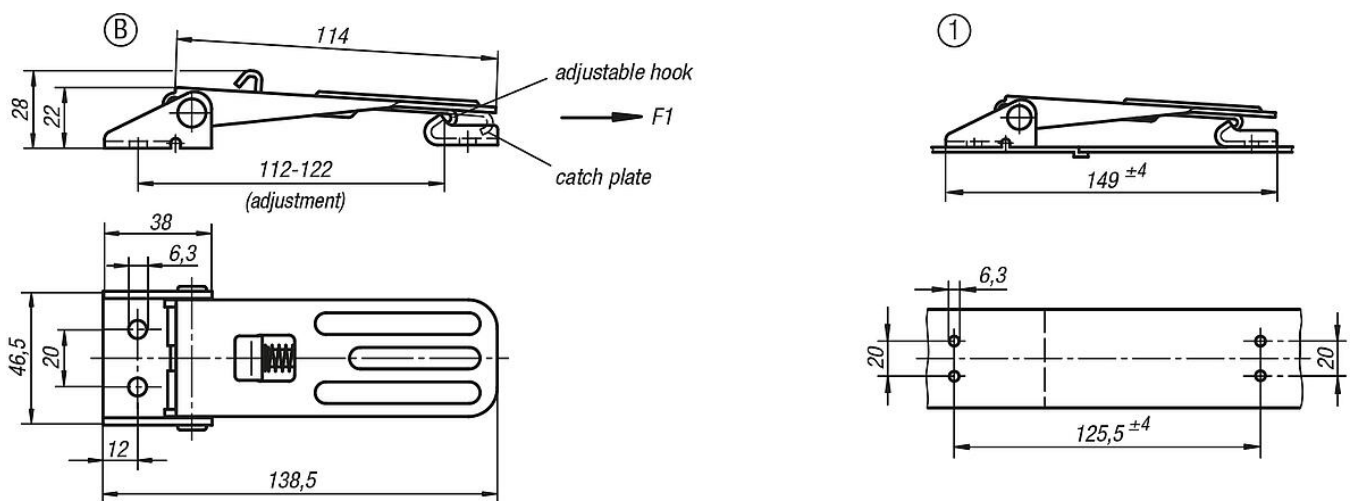
Order required catch plate separately.

The retaining force F1 applies to the latch, not the catch plate.

Drawing reference:

Form B with lock

Drawings



Overview of items

Latches adjustable, fastening holes accessible

Order No.	Main material	Form	Retaining force F1 N
K0048.2631391	steel	B	4000

Latches adjustable, fastening holes accessible, Form B**Overview of items**

Order No.	Main material	Form	Retaining force F1 N
K0048.2631392	stainless steel	B	4000