

Ring bolts swivel, 360° rotatable, grade 8

Item description/product images



Description

Material:

Steel.

Version:

Quality class 8, ball bearing;
red plastic-coated

Note:

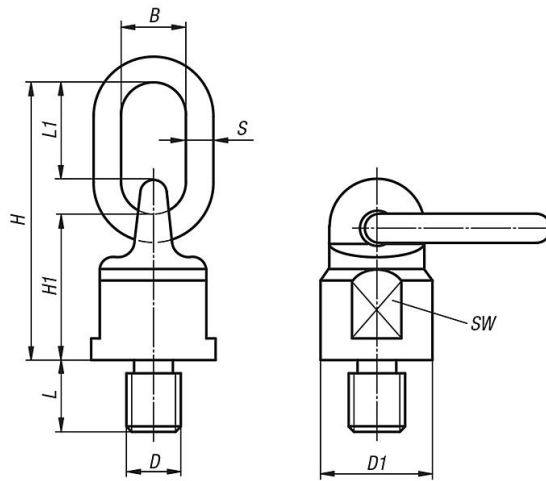
Compact and light design, full loading on all sides. 4x safety factor against breakage in all loading axis. Rotatable 360°. Link swivel range max. 180°. The ball bearing allows the ring to rotate even under load.

Lifting or securing loads, swivel rings have many uses.

For the loading capacity to be valid it must be ensured that the ring is in line with the load. The swivel face must lie flat on the support beam and the screw must always be screwed in fully.

Ring bolts swivel, 360° rotatable, grade 8

Drawings



Maximum lifting weight "G" in kg for different sling types

| Sling configuration | | | | | | | | |
|----------------------|-------|-------|------|-------|--------|---------|--------|---------|
| No. of slings | 1 | 2 | 1 | 2 | 2 | 2 | 3 - 4 | 3 - 4 |
| sling angle α | 0° | 0° | 90° | 90° | 0°-45° | 45°-60° | 0°-45° | 45°-60° |
| M10 | 600 | 1200 | 300 | 600 | 420 | 300 | 630 | 450 |
| M12 | 1000 | 2000 | 500 | 1000 | 750 | 500 | 1100 | 750 |
| M16 | 2000 | 4000 | 1120 | 2000 | 1500 | 1120 | 2360 | 1600 |
| M20 | 4000 | 8000 | 2000 | 4000 | 2800 | 2000 | 4000 | 3000 |
| M24 | 6300 | 12500 | 3150 | 6300 | 4250 | 3150 | 6300 | 4750 |
| M30 | 10600 | 21200 | 5300 | 10600 | 7100 | 5800 | 11200 | 8000 |
| M36 | 12500 | 25000 | 8000 | 16000 | 11200 | 8000 | 16800 | 12000 |

Overview of items

Ring bolts, swivel, rotatable 360°, grade 8

| Order No. | B | D | D1 | H | H1 | L | L1 | S | SW | Permissible load kg |
|-------------------|----|-----|----|-----|----|----|----|----|----|---------------------|
| K0770.1018 | 30 | M10 | 38 | 105 | 50 | 18 | 46 | 13 | 30 | 300 |
| K0770.1218 | 30 | M12 | 38 | 105 | 50 | 18 | 46 | 13 | 30 | 500 |
| K0770.1620 | 30 | M16 | 38 | 105 | 50 | 20 | 46 | 13 | 30 | 1120 |
| K0770.2030 | 34 | M20 | 50 | 131 | 61 | 30 | 57 | 16 | 40 | 2000 |
| K0770.2430 | 40 | M24 | 58 | 153 | 68 | 30 | 70 | 19 | 48 | 3150 |
| K0770.3035 | 40 | M30 | 75 | 165 | 80 | 35 | 65 | 20 | 65 | 5300 |
| K0770.3654 | 50 | M36 | 85 | 205 | 95 | 54 | 90 | 22 | 75 | 8000 |