

Ball transfer units with steel housing and plastic ball

Item description/product images



Description

Material:

Electro zinc-plated steel.

Polyamid PA 66 ball.

Note:

Ball transfer units with plastic balls are particularly suitable for transporting sensitive materials such as polished aluminium, brass and steel sheets or glass.

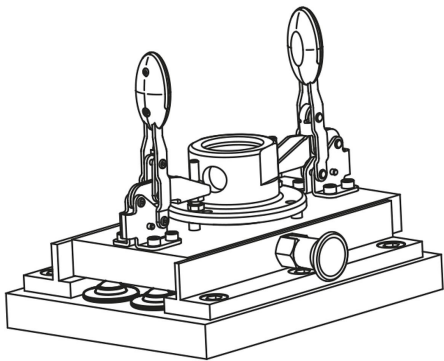
They have a felt seal to protect against dirt.

Drawing reference:

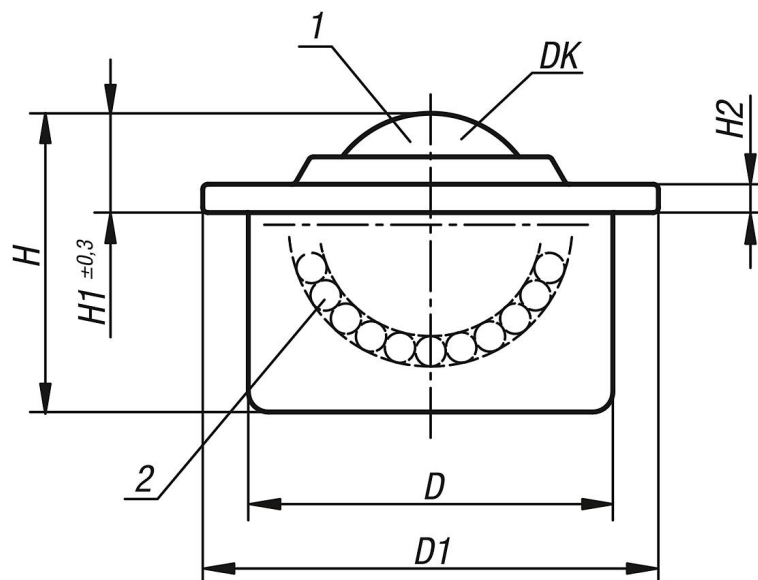
- 1) load ball
- 2) bearing balls

Form B: cap and housing electro zinc-plated, bearing balls steel.

Form C: cap and housing electro zinc-plated, bearing balls stainless steel



Drawings



Overview of items

Ball transfer units with steel housing and plastic ball

Ball transfer units with steel housing and plastic ball

Overview of items

Order No.	Form	DK	D	D1	H	H1	H2	Load rating C (N)	Suitable tolerance ring
K0761.115	B	15,8	24±0,065	31	21	9,5	2,8	100	K0766.024
K0761.122	B	22,2	36±0,080	45	30	9,6	2,8	200	K0766.036
K0761.130	B	30	45±0,080	55	37	13,6	4	250	K0766.045
K0761.215	C	15,8	24±0,065	31	21	9,5	2,8	100	K0766.024
K0761.222	C	22,2	36±0,080	45	30	9,6	2,8	200	K0766.036
K0761.230	C	30	45±0,080	55	37	13,6	4	250	K0766.045