

Round inserts with counterbore, Form C

Item description/product images



Description

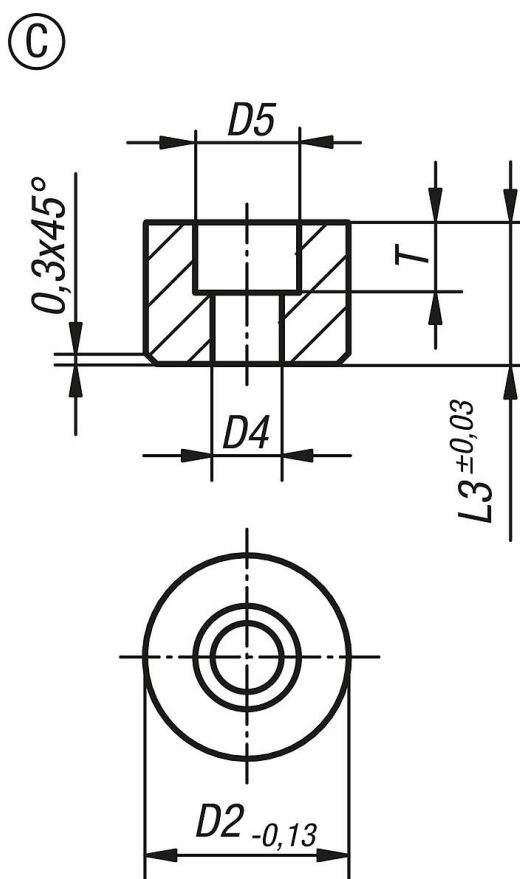
Material, version:

Form C tool steel, hardened, black oxide.

Note:

Grippers and Inserts are ideal for use in clamping arms, gripping systems, clamping fixtures, clamping jaws and self-aligning pads. Grippers transfer very high torque values and above average retaining forces even when applied to hard materials and surface irregularities.

Drawings



Overview of items

Order No.	Form	D2	D4	D5	L3	T
K0385.110108	C	10	3,4	6	10	5
K0385.110128	C	10	3,4	6	12	5
K0385.112108	C	12	4,5	9	10	5,6
K0385.112128	C	12	4,5	9	12	5,6
K0385.116108	C	16	5,5	11	10	6,6
K0385.116128	C	16	5,5	11	12	6,6
K0385.120108	C	20	6,6	11	10	7,6

Round inserts with counterbore, Form C**Overview of items**

Order No.	Form	D2	D4	D5	L3	T
K0385.120128	C	20	6,6	11	12	7,6
K0385.125108	C	25	6,6	11	10	7,6
K0385.125128	C	25	6,6	11	12	7,6