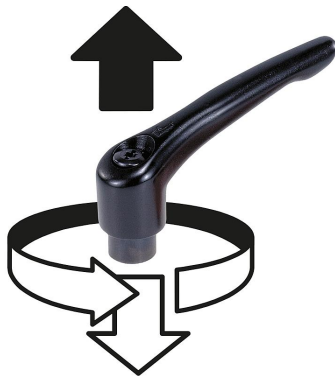


Clamping levers, die-cast zinc with internal thread and protective cap, threaded insert stainless steel

Item description/product images



lift to
disengage



Description

Material:

Handle die-cast zinc DIN EN 12844.

Steel parts and cap 1.4305 stainless steel.

Version:

Handle powder-coated.

Steel parts bright.

Note:

Standard colours are:

orange RAL 2004.

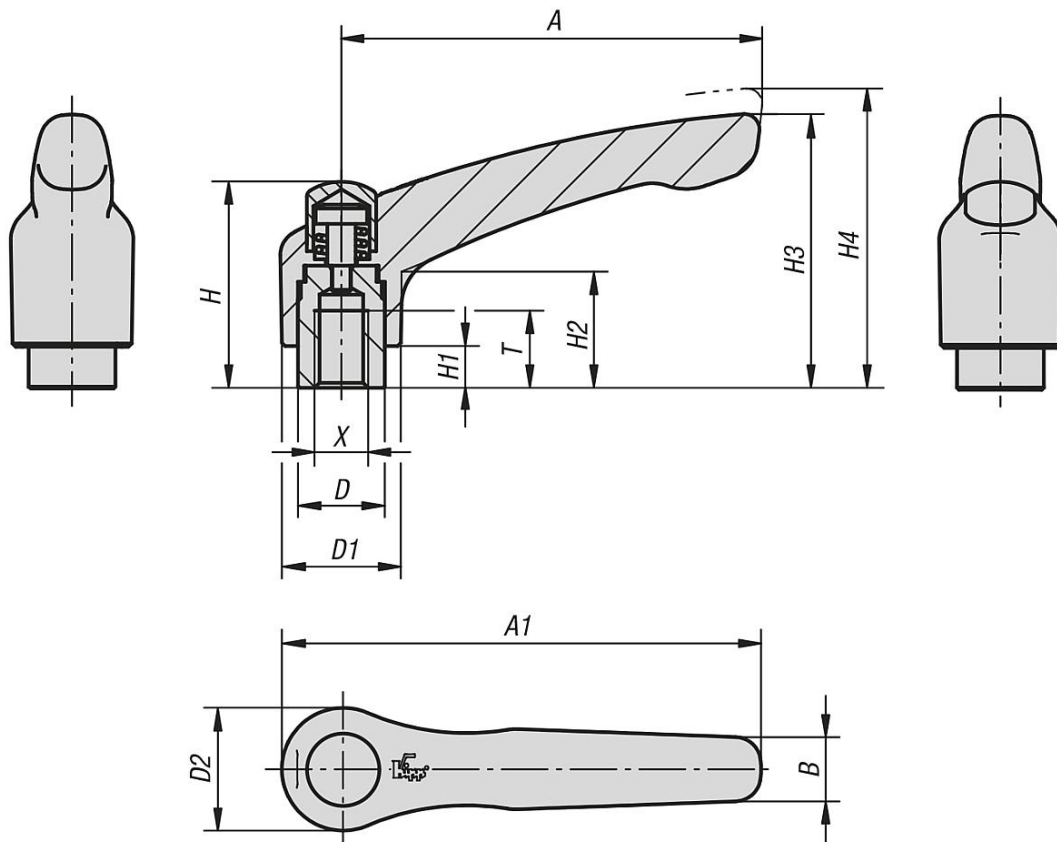
On request:

Other threads, colours and special versions.

Dimension "H1" available in other lengths at extra charge.

Clamping levers, die-cast zinc with internal thread and protective cap, threaded insert stainless steel

Drawings



Overview of items

Clamping levers with protective cap, female thread, steel parts stainless steel

Order No.	Main colour	Size	X	T	D	D1	D2	H	H1	H2	H3	H4	A	A1	B	No. of teeth
K0123.92062	orange RAL 2004	2	M6	12	13,5	18,5	19	32	6,5	17,5	42,5	45,5	65	74,5	9,5	20
K0123.92082	orange RAL 2004	2	M8	12	13,5	18,5	19	32	6,5	17,5	42,5	45,5	65	74,5	9,5	20
K0123.93082	orange RAL 2004	3	M8	14	16	21	22	41,5	10	24	54,5	58,5	80	91	11	22
K0123.93102	orange RAL 2004	3	M10	14	16	21	22	41,5	10	24	54,5	58,5	80	91	11	22