

## Self-aligning pads with O-ring, Form P, stainless steel insert with polythene face

Item description/product images



### Description

**Material:**

Body carbon steel.

Ball stainless steel with polyurethane surface.

**Version:**

Body tempered and black oxidised.

Ball: polyurethane, hardness Shore 60.

**Note:**

The self-aligning pads are used to support and clamp unmachined and machined workpieces.

In addition, they serve as stops, supports and pressure pieces in fixtures and toolmaking.

Ball secured against rotation.

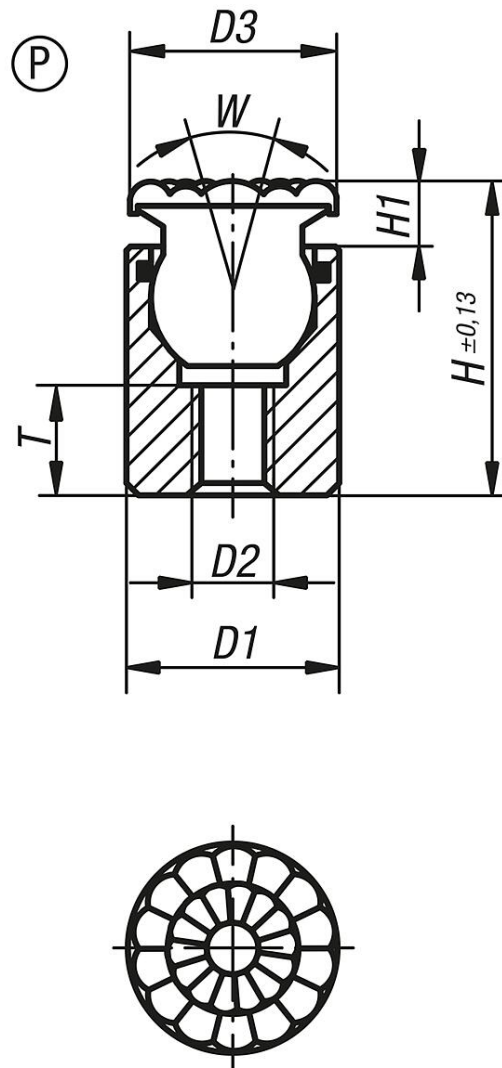
Form P: The polyurethane surface is permanently vulcanised on the ball. It is abrasion-resistant and does not discolour. Offers optimum protection against damage to delicate surfaces. The pearl-like surface gives a firm grip and allows air to escape so as to prevent any suction effect between the contact surface and the self-aligning pads.

**Advantages:**

The built-in O-ring holds the ball in place and keeps dirt and foreign particles out ensuring smooth and even movement.

# Self-aligning pads with O-ring, Form P, stainless steel insert with polythene face

Drawings



## Overview of items

Order No.	Form	D1	D2	D3	H	H1	W	T	Ball-Ø
K0284.604X014	P	10	M4	10	14,5	4	28	3,5	7
K0284.604X027	P	10	M4	10	27,5	4	28	9	7
K0284.605X019	P	13	M5	13	19,5	5	28	6,5	10
K0284.605X028	P	13	M5	13	28,5	5	28	9	10
K0284.606X023	P	17	M6	16	23	5	28	7,5	13
K0284.608X026	P	19	M8	21	26	6	24	8,5	15
K0284.610X030	P	24	M10	23	30	6	24	9	20