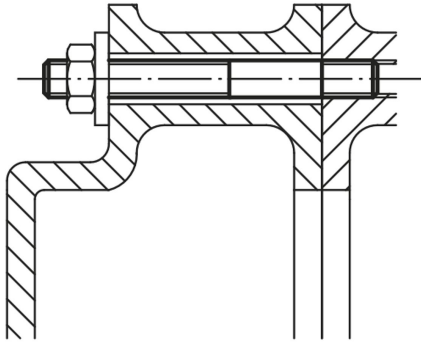


Studs DIN 6379

Item description/product images

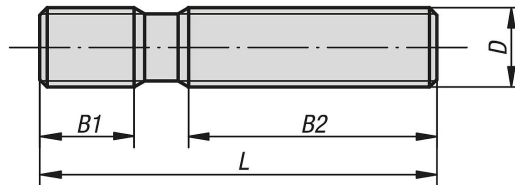


Description

Material:
Carbon steel.

Version:
Thread rolled.
M6-M12 tempered to 10.9, black.
M14-M36 tempered to 8.8, black.

Drawings



Overview of items

Studs DIN 6379

Order No.	D	L	B1	B2
K0697.0632	M6	32	9	16
K0697.0640	M6	40	9	20
K0697.0650	M6	50	9	30
K0697.0663	M6	63	9	40
K0697.0680	M6	80	9	50
K0697.06100	M6	100	9	63
K0697.0840	M8	40	11	20
K0697.0863	M8	63	11	40
K0697.0880	M8	80	11	50
K0697.08100	M8	100	11	63
K0697.08125	M8	125	11	75
K0697.08160	M8	160	11	100
K0697.1050	M10	50	13	25
K0697.1080	M10	80	13	50
K0697.10100	M10	100	13	75
K0697.10125	M10	125	13	75
K0697.10160	M10	160	13	100
K0697.10200	M10	200	13	125
K0697.1250	M12	50	15	25
K0697.1263	M12	63	15	32
K0697.1280	M12	80	15	50
K0697.12100	M12	100	15	63
K0697.12125	M12	125	15	75
K0697.12160	M12	160	15	100

Overview of items

Order No.	D	L	B1	B2
K0697.12200	M12	200	15	125
K0697.1463	M14	63	17	32
K0697.1480	M14	80	17	50
K0697.14100	M14	100	17	63
K0697.14125	M14	125	17	75
K0697.14160	M14	160	17	100
K0697.14200	M14	200	17	125
K0697.14250	M14	250	17	160
K0697.1663	M16	63	19	32
K0697.1680	M16	80	19	50
K0697.16100	M16	100	19	63
K0697.16125	M16	125	19	75
K0697.16160	M16	160	19	100
K0697.16200	M16	200	19	125
K0697.16250	M16	250	19	160
K0697.16315	M16	315	19	180
K0697.16350	M16	350	19	200
K0697.16500	M16	500	20	315
K0697.1880	M18	80	23	50
K0697.18125	M18	125	23	75
K0697.18160	M18	160	23	100
K0697.18200	M18	200	23	125
K0697.18250	M18	250	23	150
K0697.18315	M18	315	23	180
K0697.2080	M20	80	27	32
K0697.20125	M20	125	27	70
K0697.20160	M20	160	27	100
K0697.20200	M20	200	27	125
K0697.20250	M20	250	27	160
K0697.20315	M20	315	27	200
K0697.20400	M20	400	27	250
K0697.20500	M20	500	27	315
K0697.22100	M22	100	31	45
K0697.22160	M22	160	31	100
K0697.22200	M22	200	31	125
K0697.22250	M22	250	31	160
K0697.22315	M22	315	31	180
K0697.22400	M22	400	31	250
K0697.24100	M24	100	35	45
K0697.24125	M24	125	35	63
K0697.24160	M24	160	35	100
K0697.24200	M24	200	35	125
K0697.24250	M24	250	35	160
K0697.24315	M24	315	35	200
K0697.24400	M24	400	35	250
K0697.24500	M24	500	35	315
K0697.24630	M24	630	35	315
K0697.27125	M27	125	39	56
K0697.27200	M27	200	39	125
K0697.27315	M27	315	39	200
K0697.27400	M27	400	39	250
K0697.27500	M27	500	39	315
K0697.30125	M30	125	43	56
K0697.30200	M30	200	43	125
K0697.30315	M30	315	43	200
K0697.30500	M30	500	43	315
K0697.30700	M30	700	43	400
K0697.301000	M30	1000	44	400
K0697.36160	M36	160	51	80
K0697.36200	M36	200	51	125
K0697.36250	M36	250	51	160
K0697.36315	M36	315	51	200

Overview of items

Order No.	D	L	B1	B2
K0697.36400	M36	400	51	250
K0697.36500	M36	500	51	315
K0697.36700	M36	700	51	400