

Levelling sets low version

Item description/product images



Description

Material:

Steel 1.7225.

Stainless steel 1.4305.

Version:

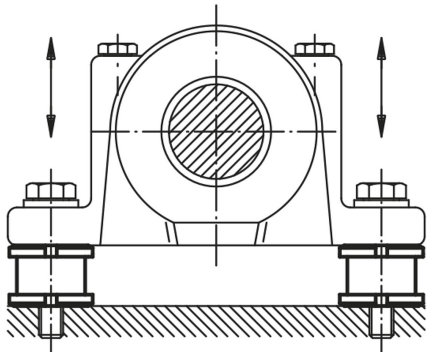
Steel version trivalent blue passivated.

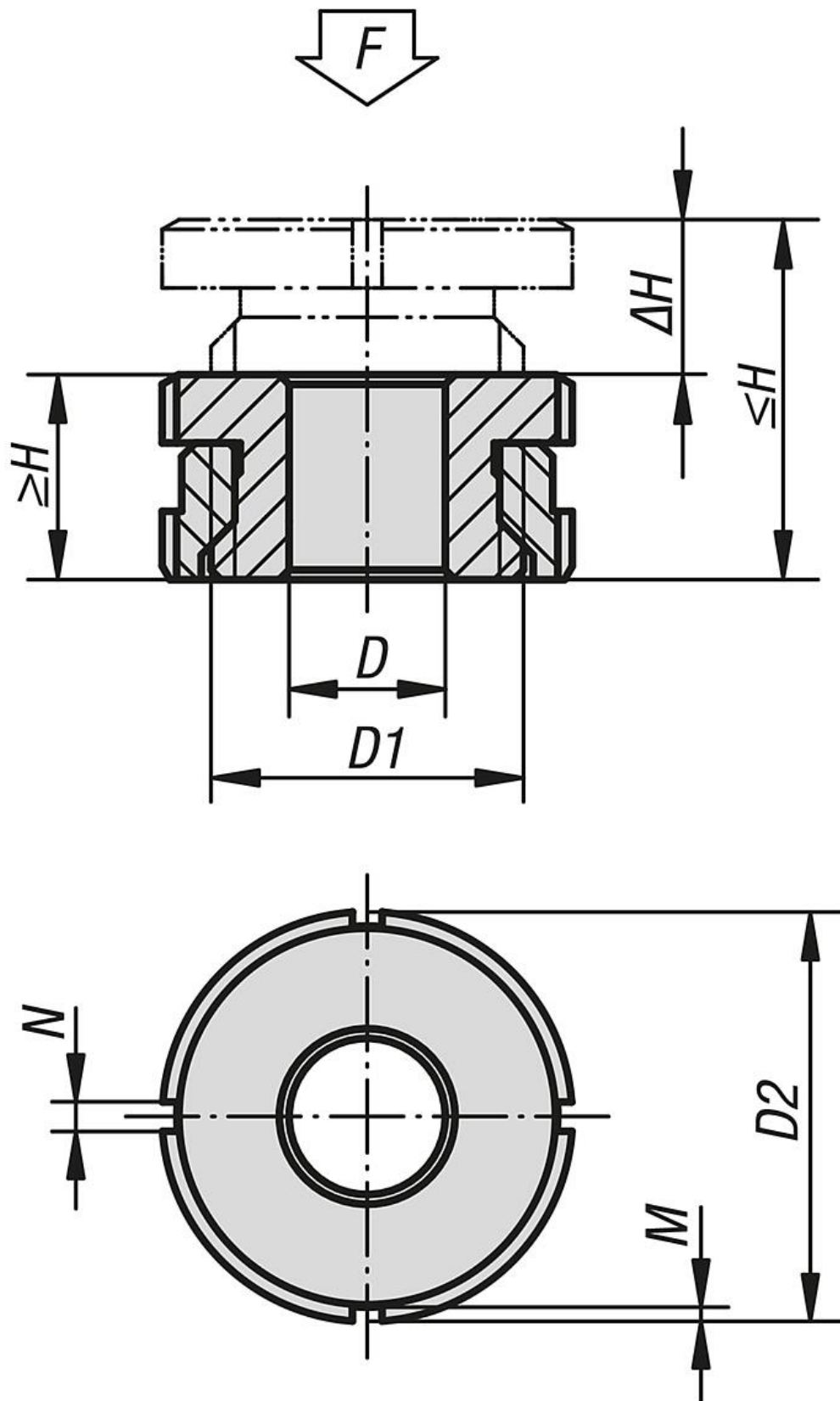
Stainless steel version bright.

Note:

Low height levelling sets are used for mounting, levelling and aligning motors, aggregates, drive units and assembly lines. The advantage is the low overall height, which means that alignments can be carried out easily and precisely even with several support points. This permits precise and torsion-free alignment.

The static additional load F_1 is effective after deducting the tensioning force (screw 8.8, $\mu = 0.125$) from the total load F .





Levelling sets low version

Overview of items

Levelling sets, low version

Order No.	Main material	D	for screw	D1	D2	H min.	H max.	ΔH	N	M	F kN	F1 kN
K0694.0404	high carbon steel	4,5	M4	M15x1	25	15	19	4	4	2	40	36
K0694.0405	high carbon steel	5,5	M5	M15x1	25	15	19	4	4	2	40	33,4
K0694.0406	high carbon steel	6,6	M6	M15x1	25	15	19	4	4	2	40	30,7
K0694.0506	high carbon steel	6,6	M6	M20x1	32	18	23	5	4	2	65	55,7
K0694.0508	high carbon steel	9	M8	M20x1	32	18	23	5	4	2	65	48
K0694.0510	high carbon steel	11	M10	M20x1	32	18	23	5	4	2	65	37,9
K0694.0710	high carbon steel	11	M10	M30x1,5	45	22	29	7	5	2	120	92,9
K0694.0712	high carbon steel	13,5	M12	M30x1,5	45	22	29	7	5	2	120	80,4
K0694.0716	high carbon steel	17,5	M16	M30x1,5	45	22	29	7	5	2	120	45,5
K0694.0916	high carbon steel	17,5	M16	M40x1,5	58	28	37	9	6	2,5	210	136
K0694.0920	high carbon steel	22	M20	M40x1,5	58	28	37	9	6	2,5	210	90
K0694.0924	high carbon steel	26	M24	M40x1,5	58	28	37	9	6	2,5	210	37
K0694.1020	high carbon steel	22	M20	M50x1,5	70	33	43	10	6	2,5	330	210
K0694.1024	high carbon steel	26	M24	M50x1,5	70	33	43	10	6	2,5	330	157
K0694.1030	high carbon steel	33	M30	M50x1,5	70	33	43	10	6	2,5	330	53
K0694.04041	stainless steel	4,5	M4	M15x1	25	15	19	4	4	2	27,1	24,14
K0694.04051	stainless steel	5,5	M5	M15x1	25	15	19	4	4	2	27,1	22,24
K0694.04061	stainless steel	6,6	M6	M15x1	25	15	19	4	4	2	27,1	20,26
K0694.05061	stainless steel	6,6	M6	M20x1	32	18	23	5	4	2	43,4	36,56
K0694.05081	stainless steel	9	M8	M20x1	32	18	23	5	4	2	43,4	30,86
K0694.05101	stainless steel	11	M10	M20x1	32	18	23	5	4	2	43,4	23,41
K0694.07101	stainless steel	11	M10	M30x1,5	45	22	29	7	5	2	84	64,01
K0694.07121	stainless steel	13,5	M12	M30x1,5	45	22	29	7	5	2	84	54,82
K0694.07161	stainless steel	17,5	M16	M30x1,5	45	22	29	7	5	2	84	28,9
K0694.09161	stainless steel	17,5	M16	M40x1,5	58	28	37	9	6	2,5	148	92,9
K0694.09201	stainless steel	22	M20	M40x1,5	58	28	37	9	6	2,5	148	59,08
K0694.09241	stainless steel	26	M24	M40x1,5	58	28	37	9	6	2,5	148	20,3
K0694.10201	stainless steel	22	M20	M50x1,5	70	33	43	10	6	2,5	225	136,08
K0694.10241	stainless steel	26	M24	M50x1,5	70	33	43	10	6	2,5	225	97,3
K0694.10301	stainless steel	33	M30	M50x1,5	70	33	43	10	6	2,5	225	20,6