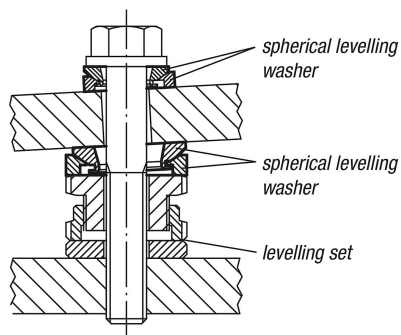


## Spherical levelling washers

### Item description/product images



### Description

#### Material:

Steel 1.7225.

Stainless steel 1.4305.

#### Version:

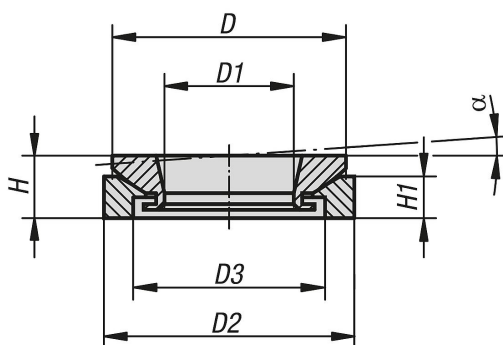
Steel trivalent blue passivated.

Stainless steel, bright.

#### Note:

Spherical levelling washers are for exact positioning when mounting up to 4° inclined surfaces. A second spherical levelling washer is recommended as support to correct the bolt angle if the angle of D3 is > 1°. The two washers cannot be detached from each other.

### Drawings



### Overview of items

#### Spherical levelling washers

Order No.	Main material	H	H1	D	D1	D2	D3	$\alpha$
K0691.151	steel	8	5,5	23	8,5	25	15	4°
K0691.201	steel	10	6,2	30	13	32	20	4°
K0691.301	steel	12,5	9	40	20	45	30	4°
K0691.401	steel	16	13	52	29	58	38	4°
K0691.501	steel	20	14	65	36	70	48	4°
K0691.152	stainless steel	8	5,5	23	8,5	25	15	4°
K0691.202	stainless steel	10	6,2	30	13	32	20	4°
K0691.302	stainless steel	12,5	9	40	20	45	30	4°
K0691.402	stainless steel	16	13	52	29	58	38	4°
K0691.502	stainless steel	20	14	65	36	70	48	4°

