

Rod ends with ball bearing internal thread, DIN ISO 12240-4

Item description/product images



Description

Material:

Casing drop-forged steel, tempered.

Version:

Electro zinc-plated.

Bearing play 15 - 40 µm.

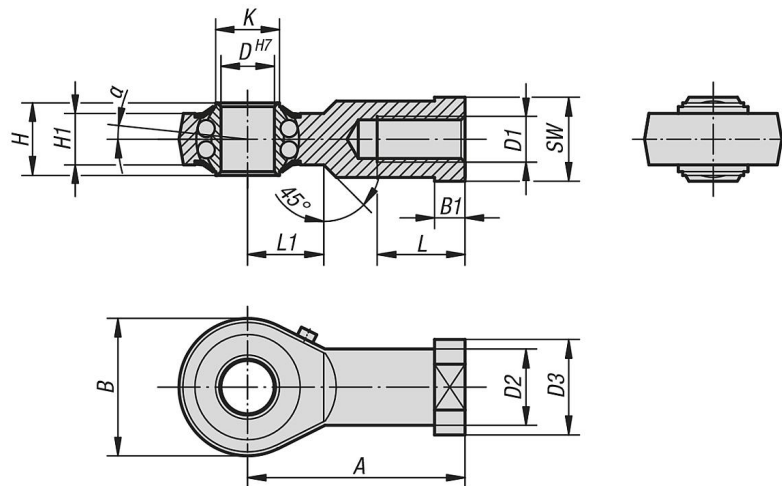
Note:

The hardened ball bearing is long-term greased and sealed with cover washers. The connection dimensions comply with DIN 648 Form Series KA.

Up to D = 10 the rod ends have a DIN 3405/A flush type grease nipple.

From D = 12 they have a DIN 71412/A conical head type grease nipple.

Drawings



Overview of items

Rod ends with ball bearing, internal thread, DIN ISO 12240-4

| Order No. | Version | D | D1 | D2 | D3 | A | B | B1 | H | H1 | K | L | L1 | SW | α | Dynamic load rating N | Static load rating N | Rev. limit n max. rpm |
|-----------|-----------|----|---------|------|----|----|----|-----|----|------|------|----|----|----|------|-----------------------|----------------------|-----------------------|
| K0717.06 | RH thread | 6 | M6 | 10 | 13 | 30 | 20 | 5 | 9 | 6,75 | 9 | 12 | 10 | 11 | 8° | 2750 | 650 | 1350 |
| K0717.08 | RH thread | 8 | M8 | 12,5 | 16 | 36 | 24 | 5 | 12 | 9 | 10,5 | 16 | 12 | 14 | 8,5° | 4000 | 1000 | 1300 |
| K0717.10 | RH thread | 10 | M10 | 15 | 19 | 43 | 28 | 6,5 | 14 | 10,5 | 12 | 20 | 15 | 17 | 8° | 4450 | 1450 | 1225 |
| K0717.12 | RH thread | 12 | M12 | 17,5 | 22 | 50 | 32 | 6,5 | 16 | 12 | 14,5 | 22 | 16 | 19 | 7,5° | 4950 | 1800 | 1125 |
| K0717.16 | RH thread | 16 | M16 | 22 | 27 | 64 | 42 | 8 | 21 | 15 | 19 | 28 | 22 | 22 | 8° | 6250 | 2350 | 975 |
| K0717.20 | RH thread | 20 | M20x1,5 | 27,5 | 34 | 77 | 50 | 10 | 25 | 18 | 24,5 | 33 | 26 | 30 | 7° | 7900 | 3450 | 825 |
| K0717.22 | RH thread | 22 | M22x1,5 | 30 | 38 | 84 | 54 | 12 | 28 | 20 | 26 | 37 | 26 | 32 | 8° | 9300 | 3980 | 725 |
| K0717.061 | LH thread | 6 | M6 | 10 | 13 | 30 | 20 | 5 | 9 | 6,75 | 9 | 12 | 10 | 11 | 8° | 2750 | 650 | 1350 |
| K0717.081 | LH thread | 8 | M8 | 12,5 | 16 | 36 | 24 | 5 | 12 | 9 | 10,5 | 16 | 12 | 14 | 8,5° | 4000 | 1000 | 1300 |
| K0717.101 | LH thread | 10 | M10 | 15 | 19 | 43 | 28 | 6,5 | 14 | 10,5 | 12 | 20 | 15 | 17 | 8° | 4450 | 1450 | 1225 |
| K0717.121 | LH thread | 12 | M12 | 17,5 | 22 | 50 | 32 | 6,5 | 16 | 12 | 14,5 | 22 | 16 | 19 | 7,5° | 4950 | 1800 | 1125 |
| K0717.161 | LH thread | 16 | M16 | 22 | 27 | 64 | 42 | 8 | 21 | 15 | 19 | 28 | 22 | 22 | 8° | 6250 | 2350 | 975 |
| K0717.201 | LH thread | 20 | M20x1,5 | 27,5 | 34 | 77 | 50 | 10 | 25 | 18 | 24,5 | 33 | 26 | 30 | 7° | 7900 | 3450 | 825 |
| K0717.221 | LH thread | 22 | M22x1,5 | 30 | 38 | 84 | 54 | 12 | 28 | 20 | 26 | 37 | 26 | 32 | 8° | 9300 | 3980 | 725 |

