

Fastening sets for straps and angles

Item description/product images



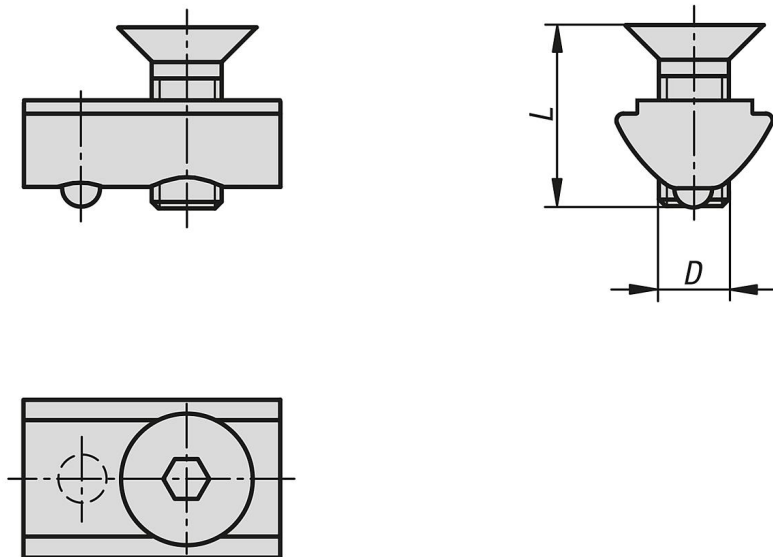
Description

Material:
Steel.

Version:
Slot key electro zinc-plated.
Screw electro zinc-plated, black.

Note:
Consists of two DIN 7991 countersunk screws and two slot nuts.

Drawings



Overview of items

Fastening sets for straps and angles

Order No.	Version 1	Version 2	Slot width	D	L
K1044.06	type I	slot key with step	6	M6	10
K1044.08	type I	slot key with step	8	M8	14