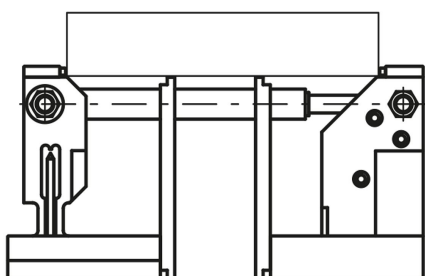


5-axis clamping system for grid plates

Item description/product images



Description

Note:

5-axis vices for mounting on grid plates.

These vices enable 5-sided machining free of interfering edges with a clamping depth of only 8 mm. With this clamping system, clamping widths of 22 - 236 mm are possible, and can be extended as desired using the optionally available K0947 extension shafts.

By installing a tension spindle immediately under the workpiece support, a force of up to 42 kN is applied to the workpiece; this is not lost due to bending. The use of clamping pins with a 4 mm cup point allows positive-fit clamping without pre-embossing.

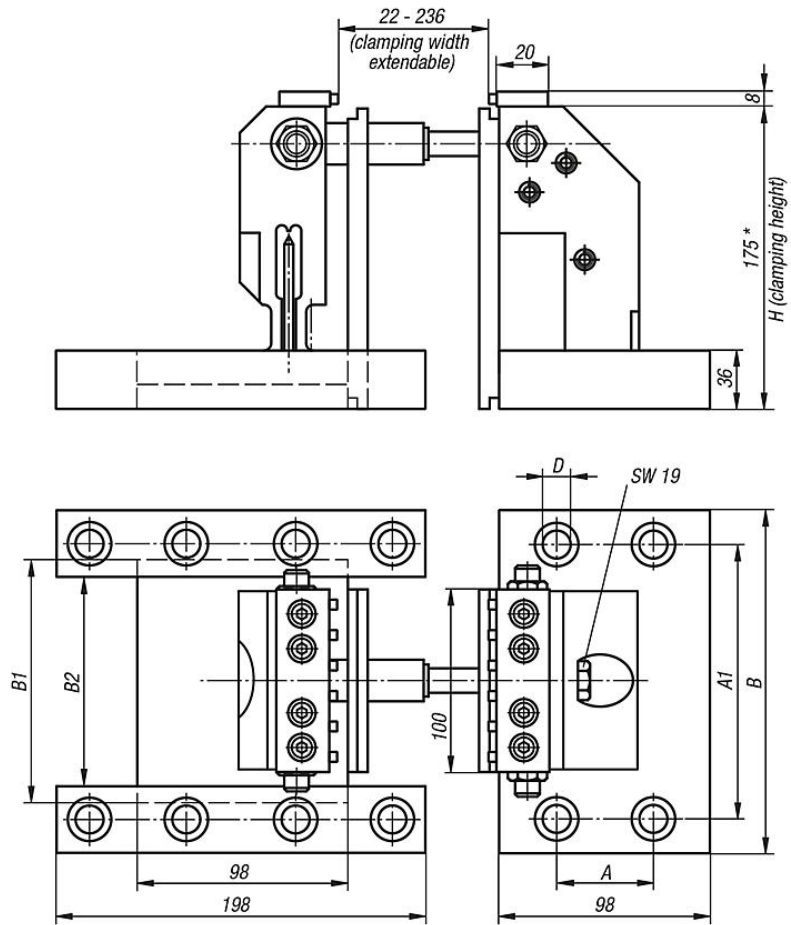
The shoulder screws K0815 are recommended for mounting the vices on grid hole plates.

The set includes one extension shaft with $L = 60$ mm and one with $L = 120$ mm.

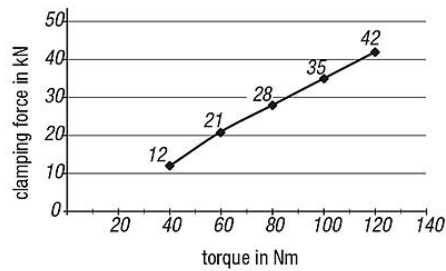
* The clamping height can be extended with the riser plates K0941 and seating ledges K0942.

5-axis clamping system for grid plates

Drawings



clamping force 5 axis clamping system



Overview of items

5 Axis clamping system for grid plates

Order No.	Grid spacing	A	A1	B	B1	B2	D	H	Clamping force max. kN	weight kg
K0939.4012175	40x40 (M12)	40	160	190	148	124	12	175*	42	25,095
K0939.5012175	50x50 (M12)	50	150	190	138	114	12	175*	42	25,232
K0939.5016175	50x50 (M16)	50	150	190	134	110	16	175*	42	25

