

Levelling feet ECO threaded spindles steel or stainless steel

Item description/product images



Description

Material:

Steel or 1.4305 stainless steel.

Version:

Steel trivalent blue passivated.

Stainless steel, bright.

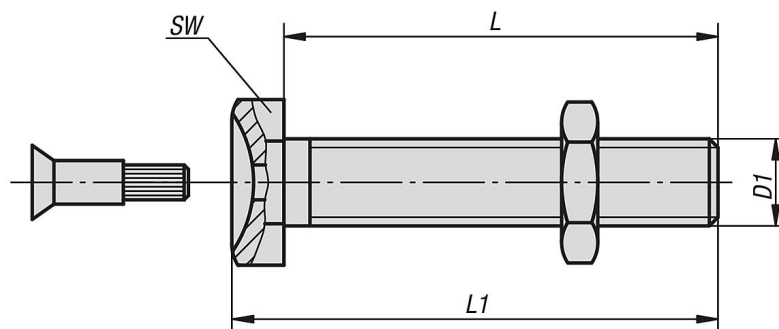
Note:

ECO levelling feet consist of a threaded spindle and a plate. Any threaded spindle can be combined with any plate.

Accessory:

K0428 Levelling feet plates ECO die-cast zinc, stainless steel or plastic.

Drawings



Overview of items

Levelling feet ECO threaded spindles steel or stainless steel

| Order No. | Main material | D1 | L | L1 | SW | Load rating max. kN |
|--------------|---------------|-----|-----|-------|----|---------------------|
| K0429.080251 | steel | M8 | 25 | 29,5 | 13 | 3,5 |
| K0429.080401 | steel | M8 | 40 | 44,5 | 13 | 3,5 |
| K0429.080501 | steel | M8 | 50 | 54,5 | 13 | 3,5 |
| K0429.080701 | steel | M8 | 70 | 74,5 | 13 | 3,5 |
| K0429.080801 | steel | M8 | 80 | 84,5 | 13 | 3,5 |
| K0429.081001 | steel | M8 | 100 | 104,5 | 13 | 3,5 |
| K0429.081201 | steel | M8 | 120 | 124,5 | 13 | 3,5 |
| K0429.100251 | steel | M10 | 25 | 30 | 17 | 4,7 |
| K0429.100401 | steel | M10 | 40 | 45 | 17 | 4,7 |
| K0429.100501 | steel | M10 | 50 | 55 | 17 | 4,7 |
| K0429.100701 | steel | M10 | 70 | 75 | 17 | 4,7 |
| K0429.100801 | steel | M10 | 80 | 85 | 17 | 4,7 |
| K0429.101001 | steel | M10 | 100 | 105 | 17 | 4,7 |
| K0429.101201 | steel | M10 | 120 | 125 | 17 | 4,7 |
| K0429.120251 | steel | M12 | 25 | 31 | 19 | 7,7 |
| K0429.120401 | steel | M12 | 40 | 46 | 19 | 7,7 |
| K0429.120501 | steel | M12 | 50 | 56 | 19 | 7,7 |
| K0429.120701 | steel | M12 | 70 | 76 | 19 | 7,7 |
| K0429.120801 | steel | M12 | 80 | 86 | 19 | 7,7 |
| K0429.121001 | steel | M12 | 100 | 106 | 19 | 7,7 |

Levelling feet ECO threaded spindles steel or stainless steel

Overview of items

| Order No. | Main material | D1 | L | L1 | SW | Load rating max. kN |
|--------------|-----------------|-----|-----|-------|----|---------------------|
| K0429.121201 | steel | M12 | 120 | 126 | 19 | 7,7 |
| K0429.160501 | steel | M16 | 50 | 58,5 | 24 | 14,5 |
| K0429.161001 | steel | M16 | 100 | 108,5 | 24 | 14,5 |
| K0429.161501 | steel | M16 | 150 | 158,5 | 24 | 14,5 |
| K0429.080252 | stainless steel | M8 | 25 | 29,5 | 13 | 3,5 |
| K0429.080402 | stainless steel | M8 | 40 | 44,5 | 13 | 3,5 |
| K0429.080502 | stainless steel | M8 | 50 | 54,5 | 13 | 3,5 |
| K0429.080702 | stainless steel | M8 | 70 | 74,5 | 13 | 3,5 |
| K0429.080802 | stainless steel | M8 | 80 | 84,5 | 13 | 3,5 |
| K0429.081002 | stainless steel | M8 | 100 | 104,5 | 13 | 3,5 |
| K0429.081202 | stainless steel | M8 | 120 | 124,5 | 13 | 3,5 |
| K0429.100252 | stainless steel | M10 | 25 | 30 | 17 | 4,7 |
| K0429.100402 | stainless steel | M10 | 40 | 45 | 17 | 4,7 |
| K0429.100502 | stainless steel | M10 | 50 | 55 | 17 | 4,7 |
| K0429.100702 | stainless steel | M10 | 70 | 75 | 17 | 4,7 |
| K0429.100802 | stainless steel | M10 | 80 | 85 | 17 | 4,7 |
| K0429.101002 | stainless steel | M10 | 100 | 105 | 17 | 4,7 |
| K0429.101202 | stainless steel | M10 | 120 | 125 | 17 | 4,7 |
| K0429.120252 | stainless steel | M12 | 25 | 31 | 19 | 7,7 |
| K0429.120402 | stainless steel | M12 | 40 | 46 | 19 | 7,7 |
| K0429.120502 | stainless steel | M12 | 50 | 56 | 19 | 7,7 |
| K0429.120702 | stainless steel | M12 | 70 | 76 | 19 | 7,7 |
| K0429.120802 | stainless steel | M12 | 80 | 86 | 19 | 7,7 |
| K0429.121002 | stainless steel | M12 | 100 | 106 | 19 | 7,7 |
| K0429.121202 | stainless steel | M12 | 120 | 126 | 19 | 7,7 |
| K0429.160502 | stainless steel | M16 | 50 | 58,5 | 24 | 14,5 |
| K0429.161002 | stainless steel | M16 | 100 | 108,5 | 24 | 14,5 |
| K0429.161502 | stainless steel | M16 | 150 | 158,5 | 24 | 14,5 |