

Clamping levers, plastic, ergonomic, with internal thread, threaded insert blue passivated steel

Item description/product images



lift to
disengage



Description

Material:

Handle: Hard components reinforced plastic, toothed ring die-cast zinc.

Soft components thermoplastic elastomer.

Steel parts: grade 5.8.

Version:

Steel parts blue-passivated.

Note:

The colour combinations graphite black RAL 9011 (hard components) and black grey RAL 7021 (soft components) are supplied as standard.

The soft components ensure a non-slip grip of the operating part. The closed design offers sufficient protection against dirt. The design was especially developed for ergonomic gripping requirements.

The push button improves disengagement and allows the handle to be easily used.

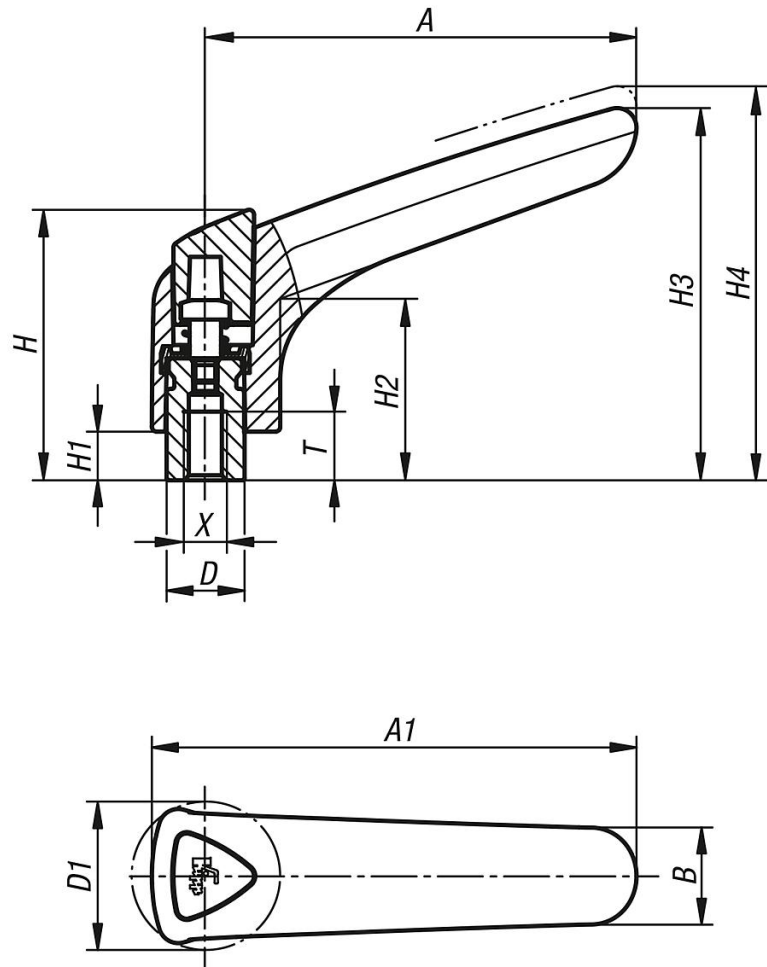
On request:

Other female threads, colours and special versions.

Dimension "H1" available in other lengths at extra charge.

Clamping levers, plastic, ergonomic, with internal thread, threaded insert blue passivated steel

Drawings



Overview of items

Order No.	X	T	D	D1	H	H1	H2	H3	H4	A	A1	B	No. of teeth
K0981.3081	M8	14	16	30,5	55,6	10	37,3	76,5	81	88,5	99,5	20	22
K0981.3101	M10	14	16	30,5	55,6	10	37,3	76,5	81	88,5	99,5	20	22