

Swivel feet plates extended die-cast zinc

Item description/product images



Description

Material:

Plate die-cast zinc.

Anti-slip plate thermoplastic elastomer.

Version:

Plate black powder-coated.

Note:

Swivel feet consist of a plate and a threaded spindle or ball joint. Any plate can be combined with any threaded spindle or ball joint. The anti-slip plate absorbs vibrations and prevents the swivel foot slipping.

For matching threaded spindles see K0421.

For matching ball joints see K0422.

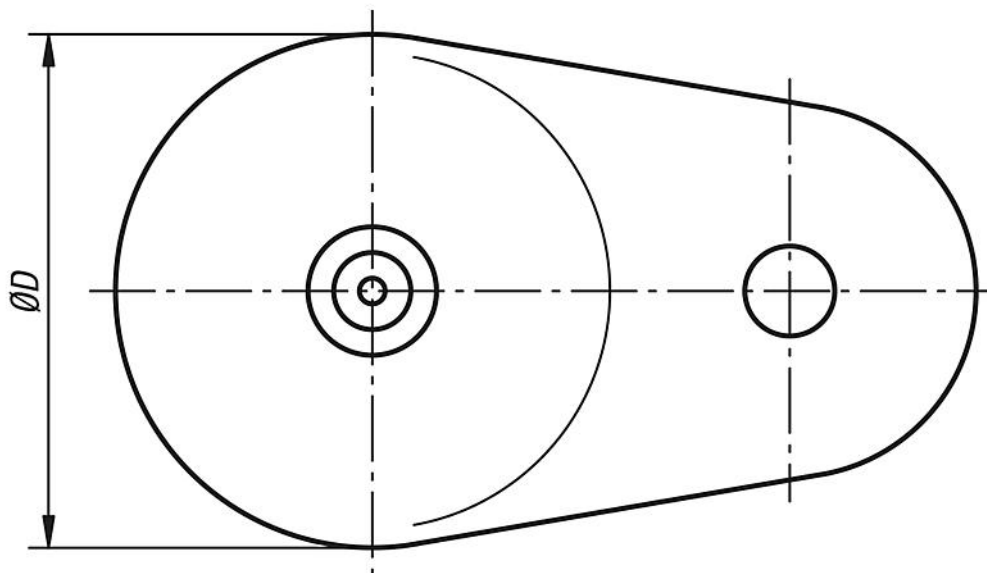
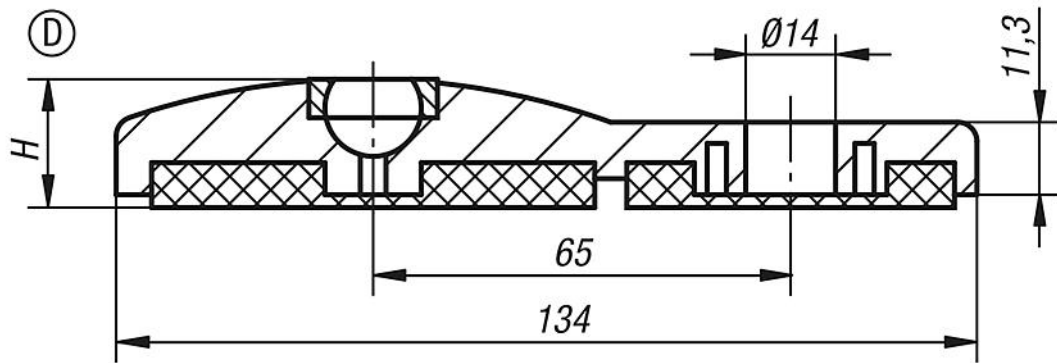
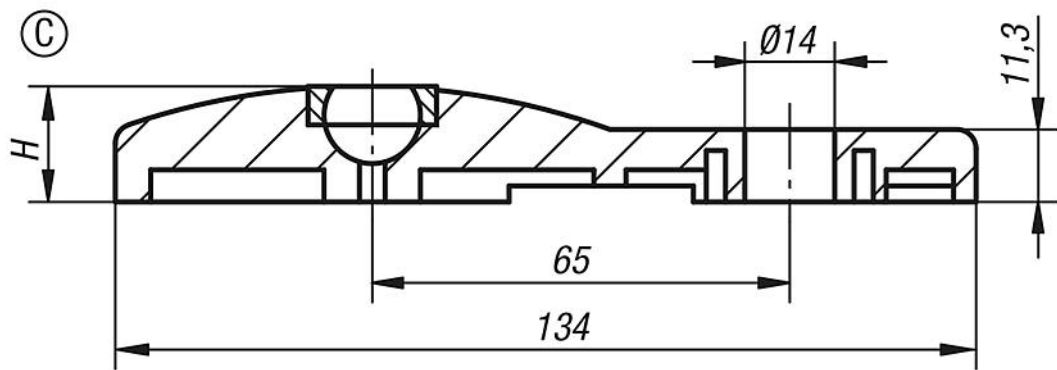
Drawing reference:

Form C with screw-on hole, without anti-slip plate

Form D with screw-on hole, with anti-slip plate

Swivel feet plates extended die-cast zinc

Drawings



Overview of items

Swivel feet plates extended, die-cast zinc

Order No.	Form	D	H	Load rating max. kN
K0417.30801	C	80	18	30

Swivel feet plates extended die-cast zinc**Overview of items**

Order No.	Form	D	H	Load rating max. kN
K0417.40801	D	80	20	30