

Swivel feet plates, Form C

Item description/product images



Description

Material:

Plates die-cast zinc or stainless steel 1.4305.

Version:

Die-cast zinc plate, black powder-coated.

Stainless steel plate, bright.

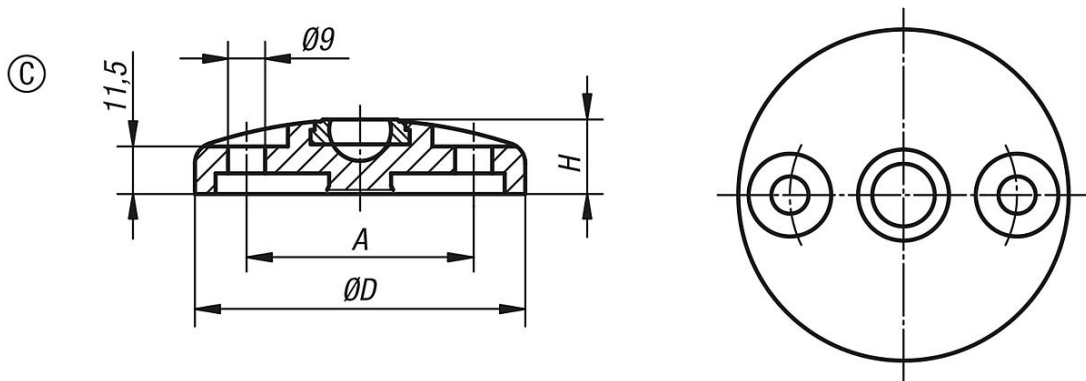
Note:

Swivel feet consist of a plate and a threaded spindle or ball joint. Any plate can be combined with any threaded spindle or ball joint.

For matching threaded spindles see K0421.

For matching ball joints see K0422.

Drawings



Overview of items

Order No.	Form	Main material	D	A	H	Load rating max. kN
K0416.30801	C	zinc	80	55	18	30
K0416.31001	C	zinc	100	74	18	35
K0416.31201	C	zinc	120	94	18	35
K0416.30802	C	stainless steel	80	55	18	35
K0416.31002	C	stainless steel	100	74	18	40
K0416.31202	C	stainless steel	120	94	18	40