

Cam levers, plastic with external thread, plastic thrust washer and steel or stainless steel stud

Item description/product images



Description

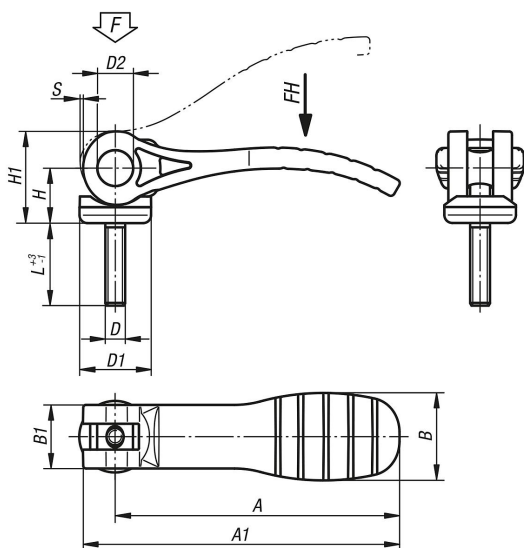
Material:

Grip and thrust washer plastic PA 66 fibreglass reinforced.
Hinge pins stainless steel 1.4305.
Studs and washer steel grade 5.8 or stainless steel 1.4305.

Version:

Grip black or traffic red RAL3020.
Thrust washer black.
Hinge pin bright.
Stud and washer trivalent blue-passivated or bright stainless steel.

Drawings



Overview of items

| Order No. | Component material | Main colour | D | D1 | D2 | B | B1 | H | H1 | A | A1 | L | Travel S | Clamping force F (kN) | Hand force FH N |
|------------------|--------------------|-------------|-----|------|----|----|------|------|------|------|------|----|----------|-----------------------|-----------------|
| K0646.1521105X20 | steel | black | M5 | 18,1 | 9 | 22 | 16 | 14 | 23,4 | 71,5 | 79,6 | 20 | 1,15 | 2,5 | 125 |
| K0646.1521105X30 | steel | black | M5 | 18,1 | 9 | 22 | 16 | 14 | 23,4 | 71,5 | 79,6 | 30 | 1,15 | 2,5 | 125 |
| K0646.1521105X40 | steel | black | M5 | 18,1 | 9 | 22 | 16 | 14 | 23,4 | 71,5 | 79,6 | 40 | 1,15 | 2,5 | 125 |
| K0646.1521105X50 | steel | black | M5 | 18,1 | 9 | 22 | 16 | 14 | 23,4 | 71,5 | 79,6 | 50 | 1,15 | 2,5 | 125 |
| K0646.1521106X20 | steel | black | M6 | 18,1 | 9 | 22 | 16 | 14 | 23,4 | 71,5 | 79,6 | 20 | 1,15 | 2,5 | 125 |
| K0646.1521106X30 | steel | black | M6 | 18,1 | 9 | 22 | 16 | 14 | 23,4 | 71,5 | 79,6 | 30 | 1,15 | 2,5 | 125 |
| K0646.1521106X40 | steel | black | M6 | 18,1 | 9 | 22 | 16 | 14 | 23,4 | 71,5 | 79,6 | 40 | 1,15 | 2,5 | 125 |
| K0646.1521106X50 | steel | black | M6 | 18,1 | 9 | 22 | 16 | 14 | 23,4 | 71,5 | 79,6 | 50 | 1,15 | 2,5 | 125 |
| K0646.2521108X25 | steel | black | M8 | 27,1 | 11 | 33 | 24,2 | 16,2 | 27,7 | 100 | 110 | 25 | 1,5 | 5 | 170 |
| K0646.2521108X30 | steel | black | M8 | 27,1 | 11 | 33 | 24,2 | 16,2 | 27,7 | 100 | 110 | 30 | 1,5 | 5 | 170 |
| K0646.2521108X40 | steel | black | M8 | 27,1 | 11 | 33 | 24,2 | 16,2 | 27,7 | 100 | 110 | 40 | 1,5 | 5 | 170 |
| K0646.2521108X50 | steel | black | M8 | 27,1 | 11 | 33 | 24,2 | 16,2 | 27,7 | 100 | 110 | 50 | 1,5 | 5 | 170 |
| K0646.2521110X25 | steel | black | M10 | 27,1 | 11 | 33 | 24,2 | 16,2 | 27,7 | 100 | 110 | 25 | 1,5 | 5 | 170 |
| K0646.2521110X30 | steel | black | M10 | 27,1 | 11 | 33 | 24,2 | 16,2 | 27,7 | 100 | 110 | 30 | 1,5 | 5 | 170 |
| K0646.2521110X40 | steel | black | M10 | 27,1 | 11 | 33 | 24,2 | 16,2 | 27,7 | 100 | 110 | 40 | 1,5 | 5 | 170 |
| K0646.2521110X50 | steel | black | M10 | 27,1 | 11 | 33 | 24,2 | 16,2 | 27,7 | 100 | 110 | 50 | 1,5 | 5 | 170 |
| K0646.1531105X20 | stainless steel | black | M5 | 18,1 | 9 | 22 | 16 | 14 | 23,4 | 71,5 | 79,6 | 20 | 1,15 | 2,5 | 125 |
| K0646.1531105X30 | stainless steel | black | M5 | 18,1 | 9 | 22 | 16 | 14 | 23,4 | 71,5 | 79,6 | 30 | 1,15 | 2,5 | 125 |
| K0646.1531105X40 | stainless steel | black | M5 | 18,1 | 9 | 22 | 16 | 14 | 23,4 | 71,5 | 79,6 | 40 | 1,15 | 2,5 | 125 |

Cam levers, plastic with external thread, plastic thrust washer and steel or stainless steel stud

Overview of items

| Order No. | Component material | Main colour | D | D1 | D2 | B | B1 | H | H1 | A | A1 | L | Travel S | Clamping force F (kN) | Hand force FH N |
|-------------------|--------------------|----------------------|-----|------|----|----|------|------|------|------|------|----|----------|-----------------------|-----------------|
| K0646.1531105X50 | stainless steel | black | M5 | 18,1 | 9 | 22 | 16 | 14 | 23,4 | 71,5 | 79,6 | 50 | 1,15 | 2,5 | 125 |
| K0646.1531106X20 | stainless steel | black | M6 | 18,1 | 9 | 22 | 16 | 14 | 23,4 | 71,5 | 79,6 | 20 | 1,15 | 2,5 | 125 |
| K0646.1531106X30 | stainless steel | black | M6 | 18,1 | 9 | 22 | 16 | 14 | 23,4 | 71,5 | 79,6 | 30 | 1,15 | 2,5 | 125 |
| K0646.1531106X40 | stainless steel | black | M6 | 18,1 | 9 | 22 | 16 | 14 | 23,4 | 71,5 | 79,6 | 40 | 1,15 | 2,5 | 125 |
| K0646.1531106X50 | stainless steel | black | M6 | 18,1 | 9 | 22 | 16 | 14 | 23,4 | 71,5 | 79,6 | 50 | 1,15 | 2,5 | 125 |
| K0646.2531108X25 | stainless steel | black | M8 | 27,1 | 11 | 33 | 24,2 | 16,2 | 27,7 | 100 | 110 | 25 | 1,5 | 5 | 170 |
| K0646.2531108X30 | stainless steel | black | M8 | 27,1 | 11 | 33 | 24,2 | 16,2 | 27,7 | 100 | 110 | 30 | 1,5 | 5 | 170 |
| K0646.2531108X40 | stainless steel | black | M8 | 27,1 | 11 | 33 | 24,2 | 16,2 | 27,7 | 100 | 110 | 40 | 1,5 | 5 | 170 |
| K0646.2531108X50 | stainless steel | black | M8 | 27,1 | 11 | 33 | 24,2 | 16,2 | 27,7 | 100 | 110 | 50 | 1,5 | 5 | 170 |
| K0646.2531110X25 | stainless steel | black | M10 | 27,1 | 11 | 33 | 24,2 | 16,2 | 27,7 | 100 | 110 | 25 | 1,5 | 5 | 170 |
| K0646.2531110X30 | stainless steel | black | M10 | 27,1 | 11 | 33 | 24,2 | 16,2 | 27,7 | 100 | 110 | 30 | 1,5 | 5 | 170 |
| K0646.2531110X40 | stainless steel | black | M10 | 27,1 | 11 | 33 | 24,2 | 16,2 | 27,7 | 100 | 110 | 40 | 1,5 | 5 | 170 |
| K0646.2531110X50 | stainless steel | black | M10 | 27,1 | 11 | 33 | 24,2 | 16,2 | 27,7 | 100 | 110 | 50 | 1,5 | 5 | 170 |
| K0646.15218405X20 | steel | traffic red RAL 3020 | M5 | 18,1 | 9 | 22 | 16 | 14 | 23,4 | 71,5 | 79,6 | 20 | 1,15 | 2,5 | 125 |
| K0646.15218405X30 | steel | traffic red RAL 3020 | M5 | 18,1 | 9 | 22 | 16 | 14 | 23,4 | 71,5 | 79,6 | 30 | 1,15 | 2,5 | 125 |
| K0646.15218405X40 | steel | traffic red RAL 3020 | M5 | 18,1 | 9 | 22 | 16 | 14 | 23,4 | 71,5 | 79,6 | 40 | 1,15 | 2,5 | 125 |
| K0646.15218405X50 | steel | traffic red RAL 3020 | M5 | 18,1 | 9 | 22 | 16 | 14 | 23,4 | 71,5 | 79,6 | 50 | 1,15 | 2,5 | 125 |
| K0646.15218406X20 | steel | traffic red RAL 3020 | M6 | 18,1 | 9 | 22 | 16 | 14 | 23,4 | 71,5 | 79,6 | 20 | 1,15 | 2,5 | 125 |
| K0646.15218406X30 | steel | traffic red RAL 3020 | M6 | 18,1 | 9 | 22 | 16 | 14 | 23,4 | 71,5 | 79,6 | 30 | 1,15 | 2,5 | 125 |
| K0646.15218406X40 | steel | traffic red RAL 3020 | M6 | 18,1 | 9 | 22 | 16 | 14 | 23,4 | 71,5 | 79,6 | 40 | 1,15 | 2,5 | 125 |
| K0646.15218406X50 | steel | traffic red RAL 3020 | M6 | 18,1 | 9 | 22 | 16 | 14 | 23,4 | 71,5 | 79,6 | 50 | 1,15 | 2,5 | 125 |
| K0646.25218408X25 | steel | traffic red RAL 3020 | M8 | 27,1 | 11 | 33 | 24,2 | 16,2 | 27,7 | 100 | 110 | 25 | 1,5 | 5 | 170 |
| K0646.25218408X30 | steel | traffic red RAL 3020 | M8 | 27,1 | 11 | 33 | 24,2 | 16,2 | 27,7 | 100 | 110 | 30 | 1,5 | 5 | 170 |
| K0646.25218408X40 | steel | traffic red RAL 3020 | M8 | 27,1 | 11 | 33 | 24,2 | 16,2 | 27,7 | 100 | 110 | 40 | 1,5 | 5 | 170 |
| K0646.25218408X50 | steel | traffic red RAL 3020 | M8 | 27,1 | 11 | 33 | 24,2 | 16,2 | 27,7 | 100 | 110 | 50 | 1,5 | 5 | 170 |
| K0646.25218410X25 | steel | traffic red RAL 3020 | M10 | 27,1 | 11 | 33 | 24,2 | 16,2 | 27,7 | 100 | 110 | 25 | 1,5 | 5 | 170 |
| K0646.25218410X30 | steel | traffic red RAL 3020 | M10 | 27,1 | 11 | 33 | 24,2 | 16,2 | 27,7 | 100 | 110 | 30 | 1,5 | 5 | 170 |
| K0646.25218410X40 | steel | traffic red RAL 3020 | M10 | 27,1 | 11 | 33 | 24,2 | 16,2 | 27,7 | 100 | 110 | 40 | 1,5 | 5 | 170 |
| K0646.25218410X50 | steel | traffic red RAL 3020 | M10 | 27,1 | 11 | 33 | 24,2 | 16,2 | 27,7 | 100 | 110 | 50 | 1,5 | 5 | 170 |
| K0646.15318405X20 | stainless steel | traffic red RAL 3020 | M5 | 18,1 | 9 | 22 | 16 | 14 | 23,4 | 71,5 | 79,6 | 20 | 1,15 | 2,5 | 125 |
| K0646.15318405X30 | stainless steel | traffic red RAL 3020 | M5 | 18,1 | 9 | 22 | 16 | 14 | 23,4 | 71,5 | 79,6 | 30 | 1,15 | 2,5 | 125 |
| K0646.15318405X40 | stainless steel | traffic red RAL 3020 | M5 | 18,1 | 9 | 22 | 16 | 14 | 23,4 | 71,5 | 79,6 | 40 | 1,15 | 2,5 | 125 |
| K0646.15318405X50 | stainless steel | traffic red RAL 3020 | M5 | 18,1 | 9 | 22 | 16 | 14 | 23,4 | 71,5 | 79,6 | 50 | 1,15 | 2,5 | 125 |
| K0646.15318406X20 | stainless steel | traffic red RAL 3020 | M6 | 18,1 | 9 | 22 | 16 | 14 | 23,4 | 71,5 | 79,6 | 20 | 1,15 | 2,5 | 125 |
| K0646.15318406X30 | stainless steel | traffic red RAL 3020 | M6 | 18,1 | 9 | 22 | 16 | 14 | 23,4 | 71,5 | 79,6 | 30 | 1,15 | 2,5 | 125 |
| K0646.15318406X40 | stainless steel | traffic red RAL 3020 | M6 | 18,1 | 9 | 22 | 16 | 14 | 23,4 | 71,5 | 79,6 | 40 | 1,15 | 2,5 | 125 |
| K0646.15318406X50 | stainless steel | traffic red RAL 3020 | M6 | 18,1 | 9 | 22 | 16 | 14 | 23,4 | 71,5 | 79,6 | 50 | 1,15 | 2,5 | 125 |
| K0646.25318408X25 | stainless steel | traffic red RAL 3020 | M8 | 27,1 | 11 | 33 | 24,2 | 16,2 | 27,7 | 100 | 110 | 25 | 1,5 | 5 | 170 |
| K0646.25318408X30 | stainless steel | traffic red RAL 3020 | M8 | 27,1 | 11 | 33 | 24,2 | 16,2 | 27,7 | 100 | 110 | 30 | 1,5 | 5 | 170 |
| K0646.25318408X40 | stainless steel | traffic red RAL 3020 | M8 | 27,1 | 11 | 33 | 24,2 | 16,2 | 27,7 | 100 | 110 | 40 | 1,5 | 5 | 170 |
| K0646.25318408X50 | stainless steel | traffic red RAL 3020 | M8 | 27,1 | 11 | 33 | 24,2 | 16,2 | 27,7 | 100 | 110 | 50 | 1,5 | 5 | 170 |
| K0646.25318410X25 | stainless steel | traffic red RAL 3020 | M10 | 27,1 | 11 | 33 | 24,2 | 16,2 | 27,7 | 100 | 110 | 25 | 1,5 | 5 | 170 |
| K0646.25318410X30 | stainless steel | traffic red RAL 3020 | M10 | 27,1 | 11 | 33 | 24,2 | 16,2 | 27,7 | 100 | 110 | 30 | 1,5 | 5 | 170 |
| K0646.25318410X40 | stainless steel | traffic red RAL 3020 | M10 | 27,1 | 11 | 33 | 24,2 | 16,2 | 27,7 | 100 | 110 | 40 | 1,5 | 5 | 170 |
| K0646.25318410X50 | stainless steel | traffic red RAL 3020 | M10 | 27,1 | 11 | 33 | 24,2 | 16,2 | 27,7 | 100 | 110 | 50 | 1,5 | 5 | 170 |