

Indexing plungers ECO, steel or stainless steel, short version with plastic mushroom grip

Item description/product images



Description

Material:

Steel version:

Indexing pin not hardened.

Threaded sleeve 1.0718.

Indexing pin 1.4305.

Stainless steel version:

Indexing pin not hardened.

Threaded sleeve and indexing pin 1.4305.

Mushroom knob black grey thermoplastic.

Version:

Steel version:

Indexing pin hardened.

Threaded sleeve trivalent blue passivated.

Indexing pin bright.

Stainless steel version:

Indexing pin not hardened.

Steel parts bright.

Note:

Indexing plungers are used to prevent changes to the locking position due to lateral forces. Another locking position can be set only after the plunger has been manually released. Indexing plungers with regular thread and unpolished and unhardened indexing pins are a cost-effective alternative to existing indexing plungers. But their degree of precision is still sufficient for many applications. The smaller production tolerances also make these products less sensitive to the alignment errors that can occur when aligning indexing plungers with the hole in the counter piece. Pay attention to the max. tightening torque when assembling.

On request:

Special versions.

Drawing reference:

Form A: non-lockout type, without locknut

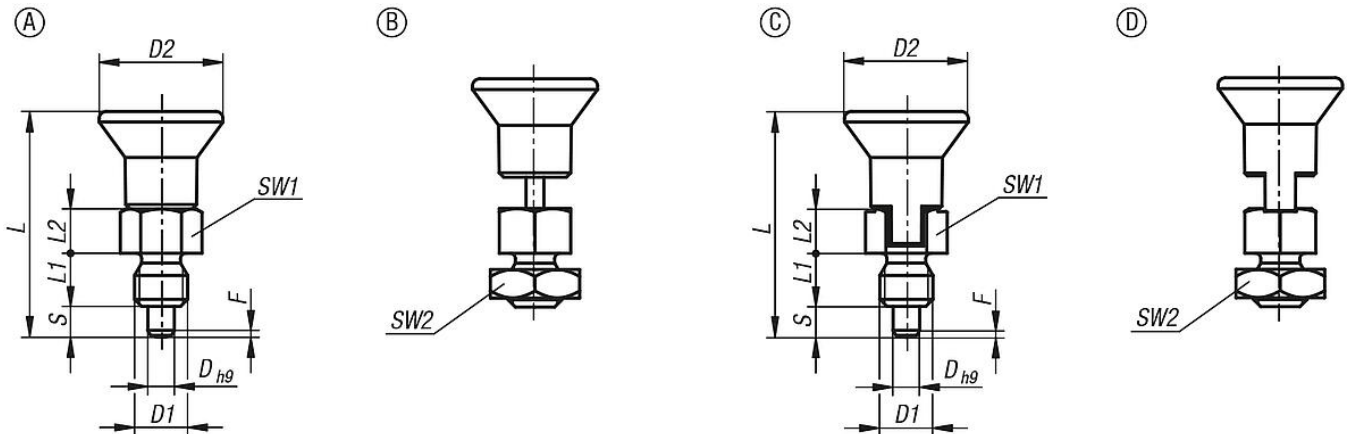
Form B: non-lockout type, with locknut

Form C: lockout type, without locknut

Form D: lockout type, with locknut

Indexing plungers ECO, steel or stainless steel, short version with plastic mushroom grip

Drawings



Overview of items

Indexing plungers ECO short version

Order No.	Form	Main material	D	D1	D2	L	L1	L2	Travel S	SW1	SW2	Fx30°	Spring force initial pressure F1 approx. N	Spring force final pressure F2 approx. N	Tightening torque max. Nm
K0748.01903060	A	steel	3	M6	14	25,5	6	5	3,5	8	-	0,8	3,5	8	2
K0748.01004080	A	steel	4	M8	18	29,5	6	6	4	10	-	1	3,5	9	2
K0748.01105100	A	steel	5	M10	21	34,5	8	7	5	13	-	1,3	6	12	7
K0748.01206120	A	steel	6	M12	25	41,7	10	8	6	14	-	1,8	6	12	15
K0748.01308160	A	steel	8	M16	33	54	12	10	8	19	-	2,3	6	13	20
K0748.11903060	A	stainless steel	3	M6	14	25,5	6	5	3,5	8	-	0,8	3,5	8	2
K0748.11004080	A	stainless steel	4	M8	18	29,5	6	6	4	10	-	1	3,5	9	2
K0748.11105100	A	stainless steel	5	M10	21	34,5	8	7	5	13	-	1,3	6	12	7
K0748.11206120	A	stainless steel	6	M12	25	41,7	10	8	6	14	-	1,8	6	12	15
K0748.11308160	A	stainless steel	8	M16	33	54	12	10	8	19	-	2,3	6	13	20
K0748.02903060	B	steel	3	M6	14	25,5	6	5	3,5	8	10	0,8	3,5	8	2
K0748.02004080	B	steel	4	M8	18	29,5	6	6	4	10	13	1	3,5	9	2
K0748.02105100	B	steel	5	M10	21	34,5	8	7	5	13	17	1,3	6	12	7
K0748.02206120	B	steel	6	M12	25	41,7	10	8	6	14	19	1,8	6	12	15
K0748.02308160	B	steel	8	M16	33	54	12	10	8	19	24	2,3	6	13	20
K0748.12903060	B	stainless steel	3	M6	14	25,5	6	5	3,5	8	10	0,8	3,5	8	2
K0748.12004080	B	stainless steel	4	M8	18	29,5	6	6	4	10	13	1	3,5	9	2
K0748.12105100	B	stainless steel	5	M10	21	34,5	8	7	5	13	17	1,3	6	12	7
K0748.12206120	B	stainless steel	6	M12	25	41,7	10	8	6	14	19	1,8	6	12	15
K0748.12308160	B	stainless steel	8	M16	33	54	12	10	8	19	24	2,3	6	13	20
K0748.03903060	C	steel	3	M6	14	25,5	6	5	3,5	8	-	0,8	3,5	8	2
K0748.03004080	C	steel	4	M8	18	29,5	6	6	4	10	-	1	3,5	9	2
K0748.03105100	C	steel	5	M10	21	34,5	8	7	5	13	-	1,3	6	12	7
K0748.03206120	C	steel	6	M12	25	41,7	10	8	6	14	-	1,8	6	12	15
K0748.03308160	C	steel	8	M16	33	54	12	10	8	19	-	2,3	6	13	20
K0748.13903060	C	stainless steel	3	M6	14	25,5	6	5	3,5	8	-	0,8	3,5	8	2
K0748.13004080	C	stainless steel	4	M8	18	29,5	6	6	4	10	-	1	3,5	9	2
K0748.13105100	C	stainless steel	5	M10	21	34,5	8	7	5	13	-	1,3	6	12	7
K0748.13206120	C	stainless steel	6	M12	25	41,7	10	8	6	14	-	1,8	6	12	15
K0748.13308160	C	stainless steel	8	M16	33	54	12	10	8	19	-	2,3	6	13	20
K0748.04903060	D	steel	3	M6	14	25,5	6	5	3,5	8	10	0,8	3,5	8	2
K0748.04004080	D	steel	4	M8	18	29,5	6	6	4	10	13	1	3,5	9	2
K0748.04105100	D	steel	5	M10	21	34,5	8	7	5	13	17	1,3	6	12	7
K0748.04206120	D	steel	6	M12	25	41,7	10	8	6	14	19	1,8	6	12	15
K0748.04308160	D	steel	8	M16	33	54	12	10	8	19	24	2,3	6	13	20
K0748.14903060	D	stainless steel	3	M6	14	25,5	6	5	3,5	8	10	0,8	3,5	8	2
K0748.14004080	D	stainless steel	4	M8	18	29,5	6	6	4	10	13	1	3,5	9	2
K0748.14105100	D	stainless steel	5	M10	21	34,5	8	7	5	13	17	1,3	6	12	7
K0748.14206120	D	stainless steel	6	M12	25	41,7	10	8	6	14	19	1,8	6	12	15

Indexing plungers ECO, steel or stainless steel, short version with plastic mushroom grip

Overview of items

Order No.	Form	Main material	D	D1	D2	L	L1	L2	Travel S	SW1	SW2	Fx30°	Spring force initial pressure F1 approx. N	Spring force final pressure F2 approx. N	Tightening torque max. Nm
K0748.14308160	D	stainless steel	8	M16	33	54	12	10	8	19	24	2,3	6	13	20